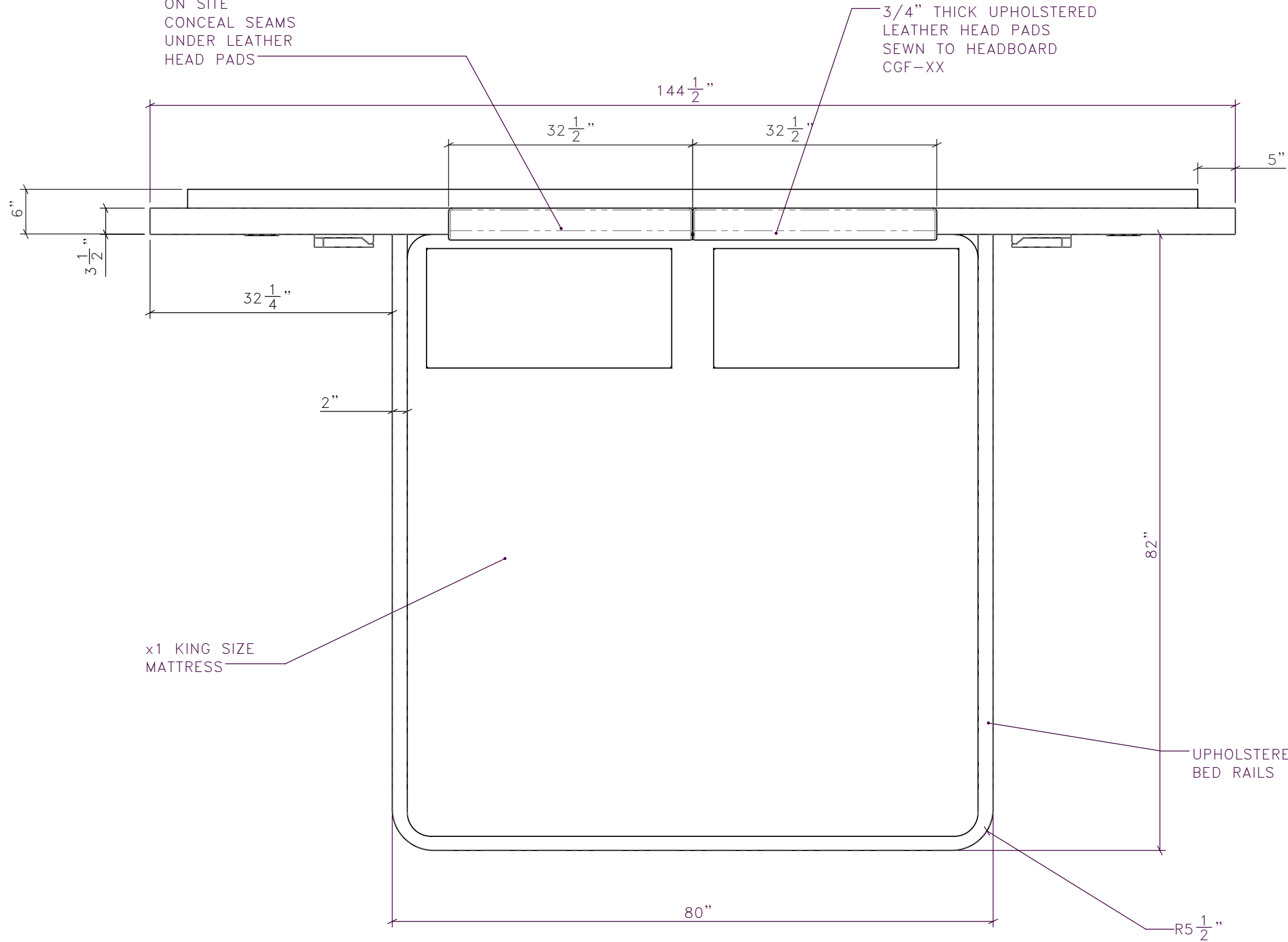


UPHOLSTERED HEADBOARD TO BE FABRICATED IN TWO PIECES TO FASTEN TOGETHER ON SITE CONCEAL SEAMS UNDER LEATHER HEAD PADS

FOR DESIGN INTENT ONLY

DRAWING ARE NOT TO BE SCALED. CONTRACTOR MUST CHECK AND VERIFY ALL JOB DIMENSIONS, DRAWINGS, DETAILS AND SPECIFICATIONS; AND REPORT ANY DISCREPANCIES TO DESIGNER BEFORE PROCEEDING WITH WORK.

REV	ISSUED FOR	DATE



**STUDIO MUNGE**  
 25 WINGOLD AVENUE  
 TORONTO, ONTARIO  
 M6B 1P8 CANADA  
 416.588.1668  
 STUDIOMUNGE.COM

**SCALE** AS NOTED  
**DATE** 11/9/17

**DRAWN BY** EP  
**CHECKED BY**

**PROJECT NAME**  
 PHLA MUR

**DRAWING TITLE**  
 CG-06 KING BED

**PROJECT NUMBER**  
 14138

**DRAWING NUMBER**  
 1 / 5

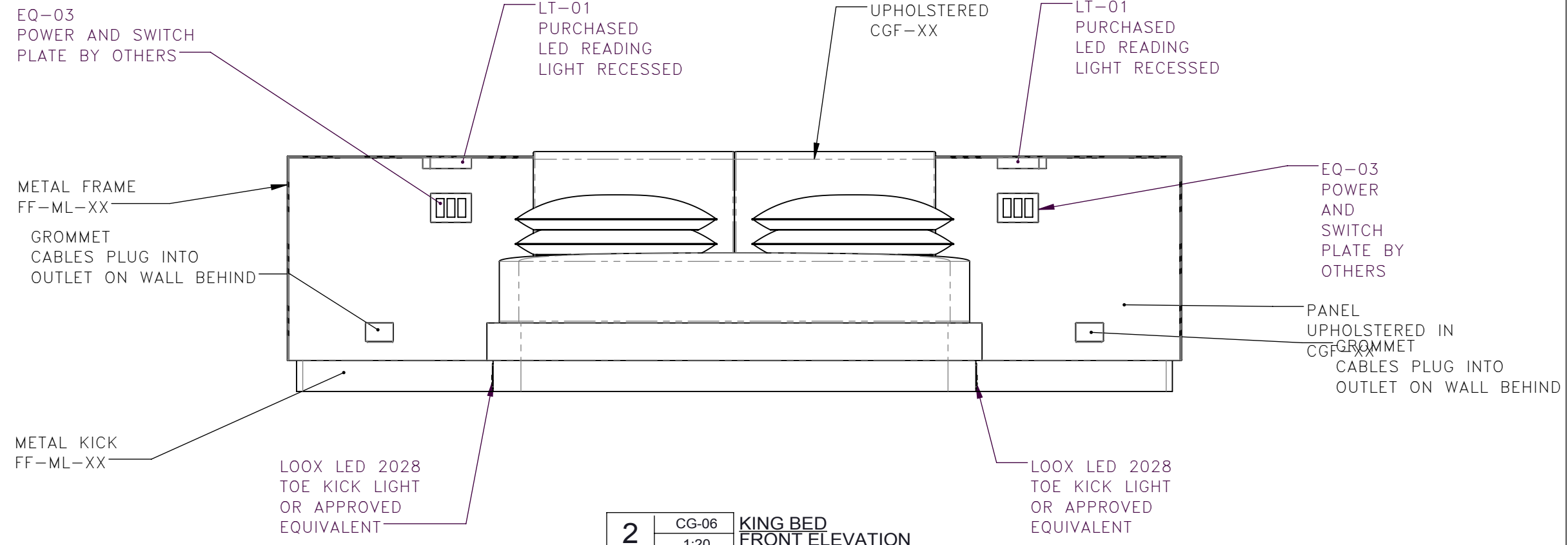
<b>1</b>	CG-06	<b>KING BED PLAN VIEW</b>
	1:15	

STUDIO MUNGE

FOR DESIGN INTENT ONLY

DRAWING ARE NOT TO BE SCALED. CONTRACTOR MUST CHECK AND VERIFY ALL JOB DIMENSIONS, DRAWINGS, DETAILS AND SPECIFICATIONS, AND REPORT ANY DISCREPANCIES TO DESIGNER BEFORE PROCEEDING WITH WORK.

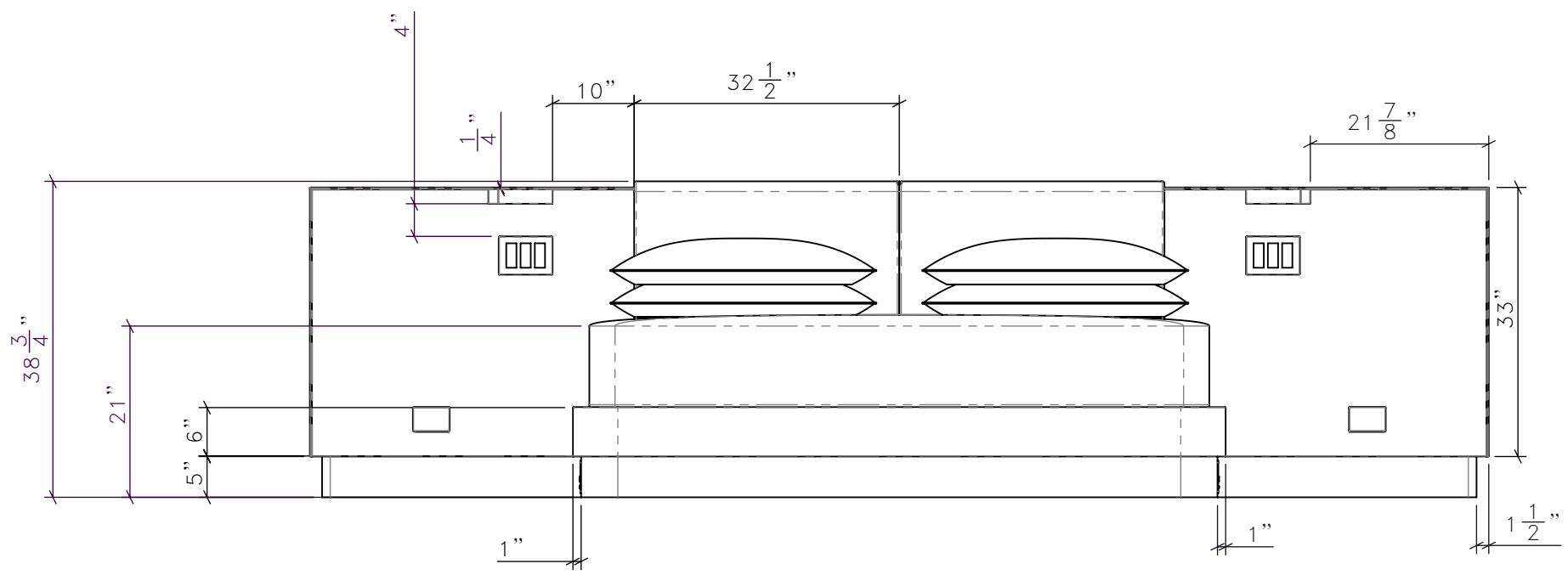
REV	ISSUED FOR	DATE



**2** | CG-06 | 1:20 | KING BED FRONT ELEVATION

**STUDIO MUNGE**  
 25 WINGOLD AVENUE  
 TORONTO, ONTARIO  
 M6B 1P8 CANADA  
 416.588.1668  
 STUDIOMUNGE.COM

<b>SCALE</b> AS NOTED	<b>DATE</b> 11/9/17
<b>DRAWN BY</b> EP	<b>CHECKED BY</b>
<b>PROJECT NAME</b>  PHLA MUR	
<b>DRAWING TITLE</b>  CG-06 KING BED	
<b>PROJECT NUMBER</b> 14138	
<b>DRAWING NUMBER</b> 2 / 5	



**3** | CG-06 | 1:20 | KING BED FRONT ELEVATION

FOR DESIGN INTENT ONLY

DRAWING ARE NOT TO BE SCALED. CONTRACTOR MUST CHECK AND VERIFY ALL JOB DIMENSIONS, DRAWINGS, DETAILS AND SPECIFICATIONS, AND REPORT ANY DISCREPANCIES TO DESIGNER BEFORE PROCEEDING WITH WORK.

REV	ISSUED FOR	DATE

METAL TRIM  
FF-ML-XX

CGF-XX  
UPHOLSTERED

LT-01  
PURCHASED  
READING LIGHT

LT-01  
PURCHASED  
READING LIGHT

EQ-03  
CUSTOM SWITCH  
PLATE BY  
OTHERS

UPHOLSTERED  
CGF-XX

EQ-03  
CUSTOM  
SWITCH  
PLATE BY  
OTHERS

CGF-XX  
UPHOLSTERED  
BED RAILS

FF-ML-XX  
METAL KICK

LOOX LED 2028  
TOE KICK LIGHT  
OR APPROVED  
EQUIVALENT

CGF-XX  
UPHOLSTERED PANEL  
GROMMET  
CABLES TO PLUG INTO  
OUTLET ON WALL BEHIND

6	CG-06	KING BED ISOMETRIC VIEW
	1:15	

**STUDIO  
MUNGE**  
 25 WINGOLD AVENUE  
 TORONTO, ONTARIO  
 M6B 1P8 CANADA  
 416.588.1668  
 STUDIOMUNGE.COM

**SCALE**  
AS NOTED

**DATE**  
11/9/17

**DRAWN BY**  
EP

**CHECKED BY**

**PROJECT NAME**

PHLA MUR

**DRAWING TITLE**

CG-06  
KING BED

**PROJECT NUMBER**  
14138

**DRAWING NUMBER**  
3 / 5

STUDIO MUNGE

FOR DESIGN INTENT ONLY

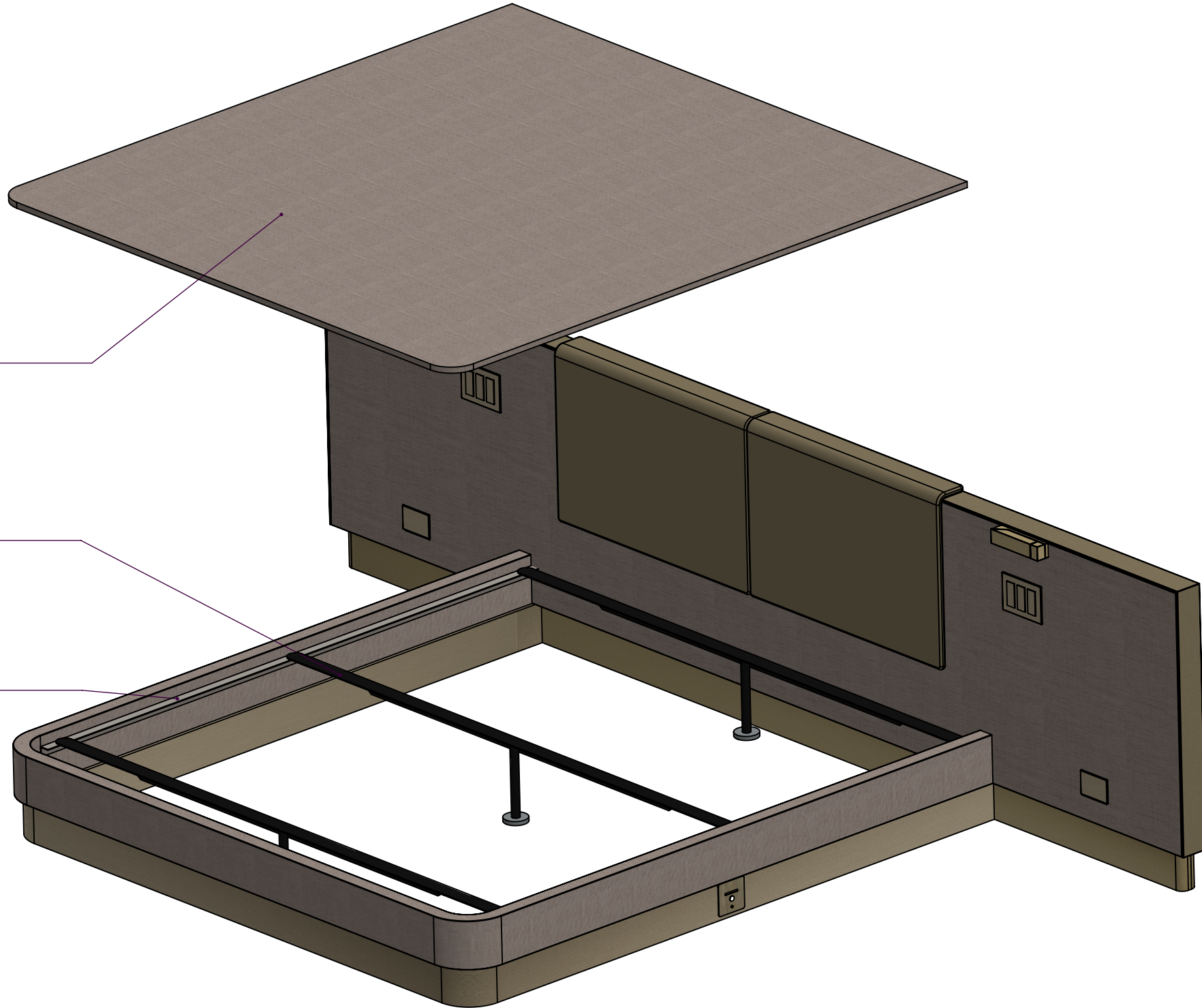
DRAWING ARE NOT TO BE SCALED. CONTRACTOR MUST CHECK AND VERIFY ALL JOB DIMENSIONS, DRAWINGS, DETAILS AND SPECIFICATIONS; AND REPORT ANY DISCREPANCIES TO DESIGNER BEFORE PROCEEDING WITH WORK.

REV.	ISSUED FOR	DATE

CGF-XX  
UPHOLSTERED  
PLYWOOD PANEL  
OVERLAYS METAL  
BED SUPPORTS

FASHION BED GROUP  
EL1-18 EZ LIFT  
SUPPORT SYSTEM

METAL ANGLE RAILS  
TO BE INSTALLED  
BY MANUFACTURER



**STUDIO  
MUNGE**  
25 WINGOLD AVENUE  
TORONTO, ONTARIO  
M6B 1P8 CANADA  
416.588.1668  
STUDIOMUNGE.COM

**-SCALE**  
AS NOTED

**-DATE**  
11/9/17

**-DRAWN BY**  
EP

**-CHECKED BY**

**-PROJECT NAME**

PHLA

**-DRAWING TITLE**

CG-06  
KING BED

**-PROJECT NUMBER**  
14138

**-DRAWING NUMBER**  
4 / 5

**7** | CG-06 | KING BED  
1:15 | ISOMETRIC VIEW

STUDIO MUNGE  
Y  
E  
M  
D  
C  
B  
A  
Y

FOR DESIGN INTENT ONLY

DRAWING ARE NOT TO BE SCALED. CONTRACTOR MUST CHECK AND VERIFY ALL JOB DIMENSIONS, DRAWINGS, DETAILS AND SPECIFICATIONS; AND REPORT ANY DISCREPANCIES TO DESIGNER BEFORE PROCEEDING WITH WORK.

REV.	ISSUED FOR	DATE



**STUDIO  
MUNGE**  
25 WINGOLD AVENUE  
TORONTO, ONTARIO  
M6B 1P8 CANADA  
416.588.1668  
STUDIOMUNGE.COM

<b>-SCALE</b> AS NOTED	<b>-DATE</b> 11/9/17
<b>-DRAWN BY</b> EP	<b>-CHECKED BY</b> 
<b>-PROJECT NAME</b>  PHLA	
<b>-DRAWING TITLE</b>  CG-06 KING BED	
<b>-PROJECT NUMBER</b> 14138	
<b>-DRAWING NUMBER</b> 5 / 5	

8	CG-06	KING BED RENDERING
	NTS	