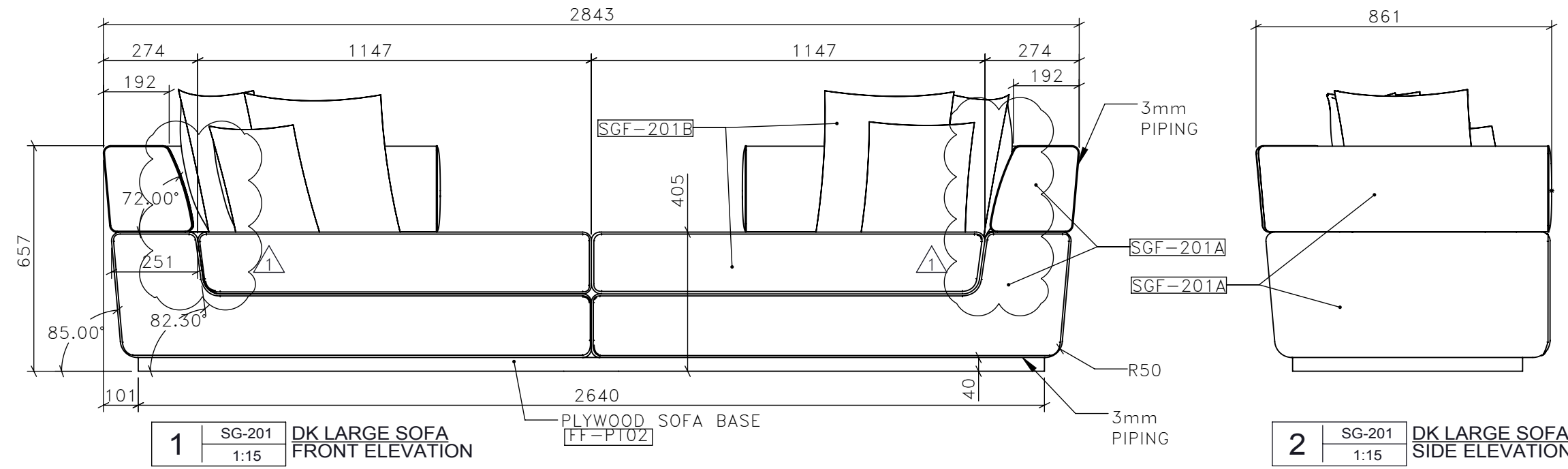


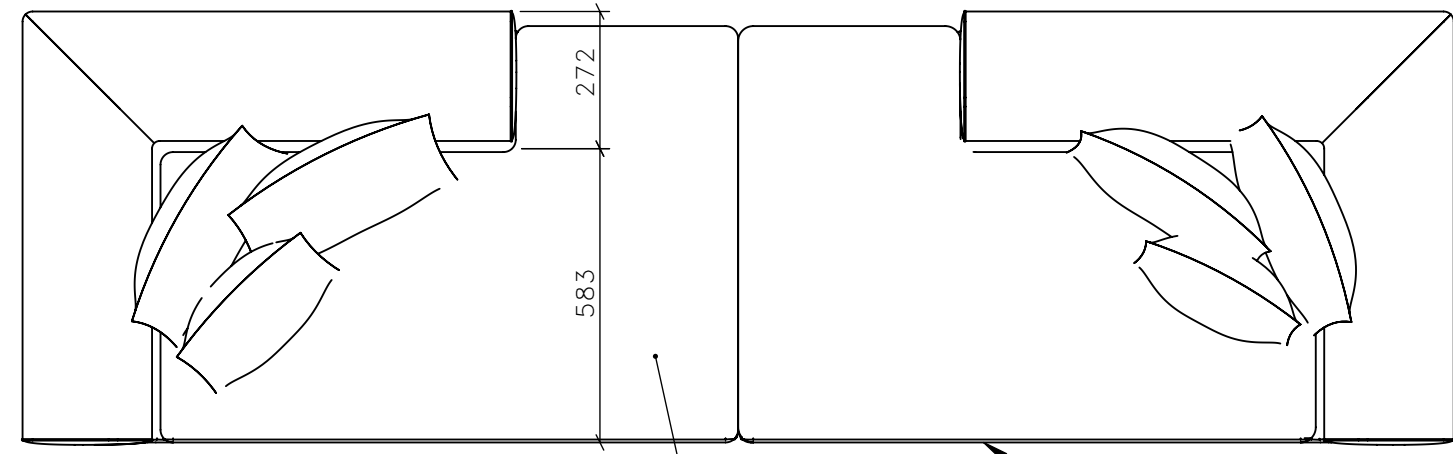
DRAWING ARE NOT TO BE SCALED. CONTRACTOR MUST CHECK AND VERIFY ALL JOB DIMENSIONS, DRAWINGS, DETAILS AND SPECIFICATIONS, AND REPORT ANY DISCREPANCIES TO DESIGNER BEFORE PROCEEDING WITH WORK.

REV	ISSUED FOR	DATE
1	UPDATED FRONT PROFILE SOFA	DEC/21/2016

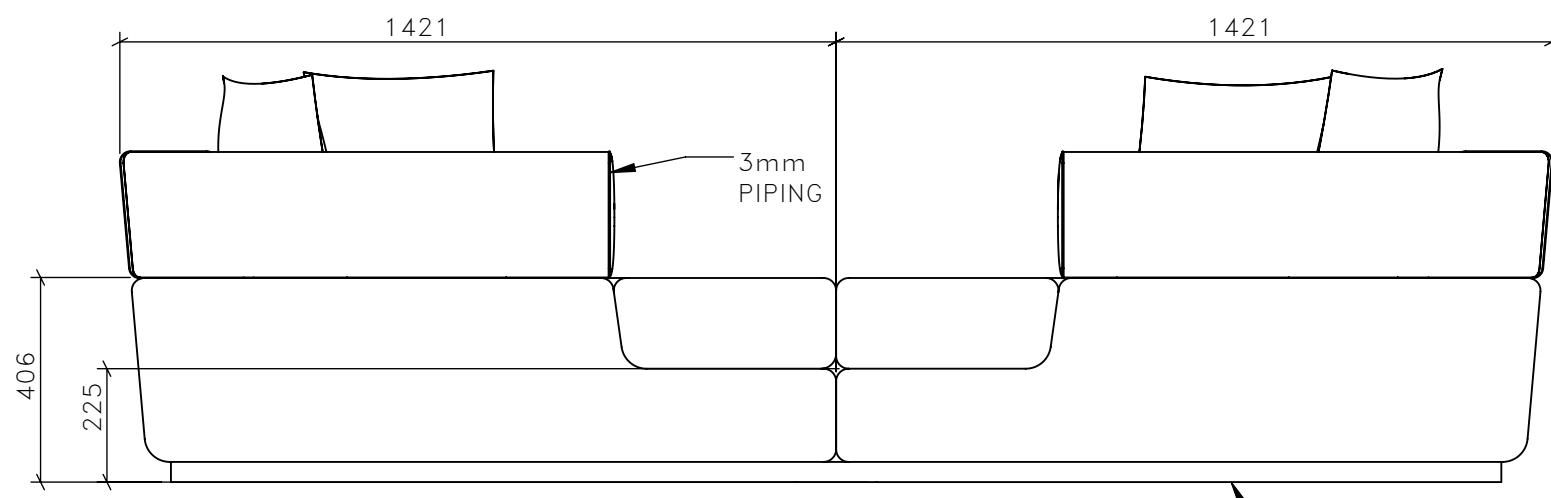
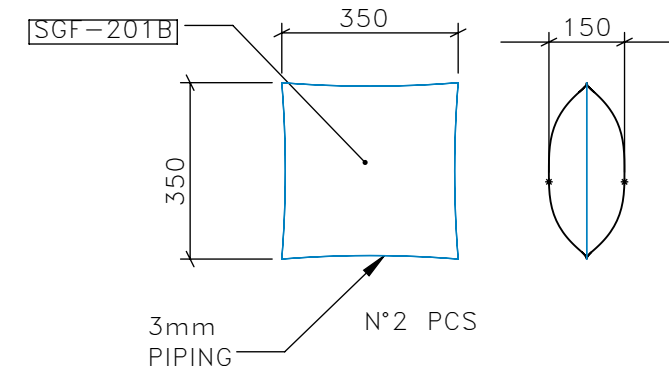
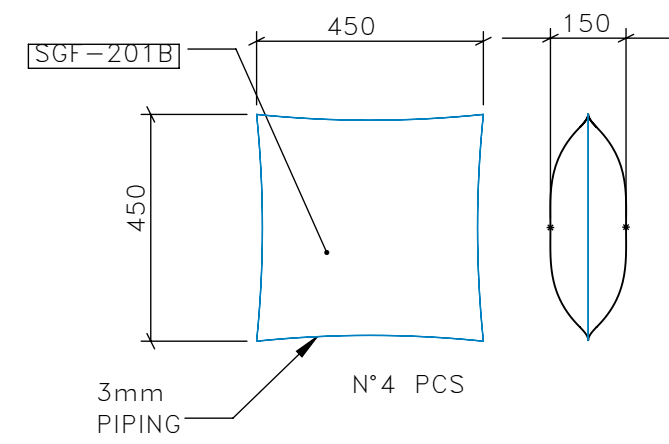


1 | SG-201 | 1:15 | DK LARGE SOFA FRONT ELEVATION

2 | SG-201 | 1:15 | DK LARGE SOFA SIDE ELEVATION



3 | SG-201 | 1:15 | DK LARGE SOFA PLAN



4 | SG-201 | 1:15 | DK LARGE SOFA BACK ELEVATION

STUDIO MUNGE
 25 WINGOLD AVENUE
 TORONTO, ONTARIO
 M6B 1P8 CANADA
 416.588.1668
 STUDIOMUNGE.COM

SCALE	AS NOTED	DATE	1/9/18
DRAWN BY	EP	CHECKED BY	
PROJECT NAME	BISHA HOTEL		
DRAWING TITLE	SG-201 LARGE TYPICAL SOFA DK		
PROJECT NUMBER	28104		
DRAWING NUMBER	1 / 2		

STUDIO MUNGE
Y
M
D
C
B
A
X



DRAWING ARE NOT TO BE SCALED. CONTRACTOR MUST CHECK AND VERIFY ALL JOB DIMENSIONS, DRAWINGS, DETAILS AND SPECIFICATIONS; AND REPORT ANY DISCREPANCIES TO DESIGNER BEFORE PROCEEDING WITH WORK.

REV.	ISSUED FOR	DATE

STUDIO MUNGE
25 WINGOLD AVENUE
TORONTO, ONTARIO
M6B 1P8 CANADA
416.588.1668
STUDIOMUNGE.COM

SCALE AS NOTED	DATE 1/9/18
DRAWN BY EP	CHECKED BY
PROJECT NAME BISHA HOTEL	
DRAWING TITLE SG-201 LARGE TYPICAL SOFA DK	
PROJECT NUMBER 28104	
DRAWING NUMBER 2 / 2	