

BRIDGEWATER MARRIOTT

SUITE MOCK UP FF&E DRAWINGS- NOVEMBER 1, 2017

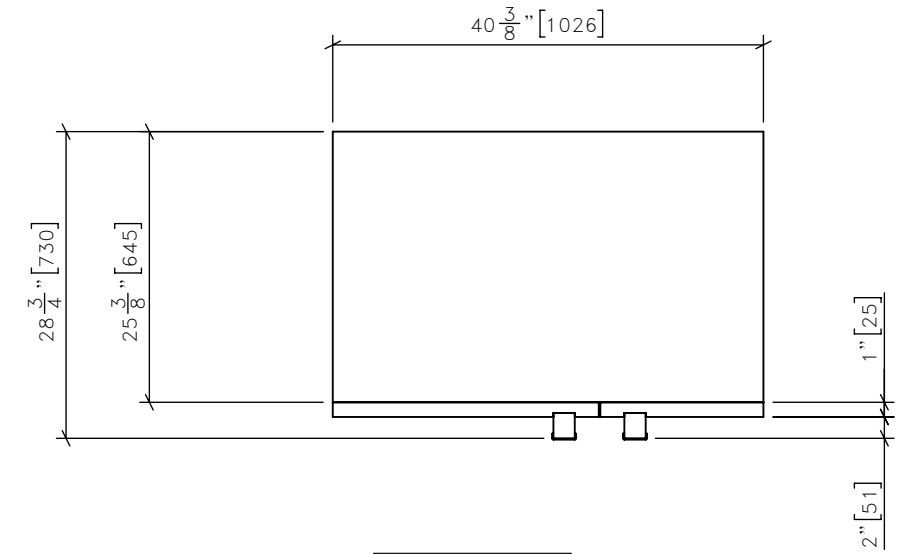
AUTOGRAPH
COLLECTION®
HOTELS

PEARLE
HOSPITALITY

STUDIO
MUNGE

FOR DESIGN INTENT ONLY

DRAWING ARE NOT TO BE SCALED. CONTRACTOR MUST CHECK AND VERIFY ALL JOB DIMENSIONS, DRAWINGS, DETAILS AND SPECIFICATIONS; AND REPORT ANY DISCREPANCIES TO DESIGNER BEFORE PROCEEDING WITH WORK.

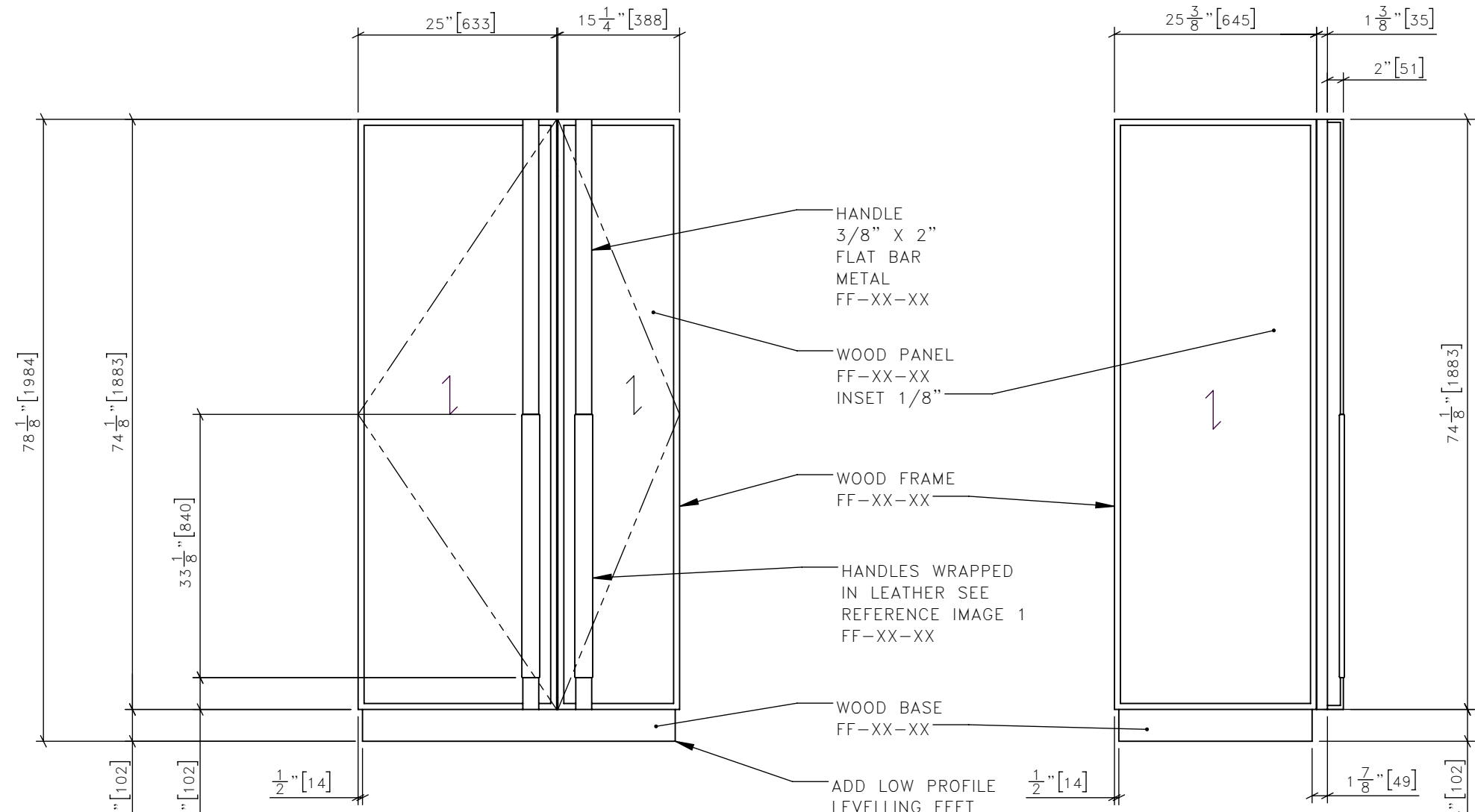


1 CG-XX CLOSET 1 PLAN
1:18



REFERENCE IMAGE 1

REV	ISSUED FOR	DATE



2 CG-XX CLOSET 1 FRONT ELEVATION
1:18

3 CG-XX CLOSET 1 SIDE ELEVATION
1:18

STUDIO MUNGE
25 WINGOLD AVENUE
TORONTO, ONTARIO
M6B 1P8 CANADA
416.588.1668
STUDIOMUNGE.COM

SCALE AS NOTED	DATE 10/26/17
DRAWN BY EH	CHECKED BY
PROJECT NAME BRIDGEWATER HOTEL M.U.R.	
DRAWING TITLE CG-XX CLOSET 1	
PROJECT NUMBER 16129	
DRAWING NUMBER 1 / 4	

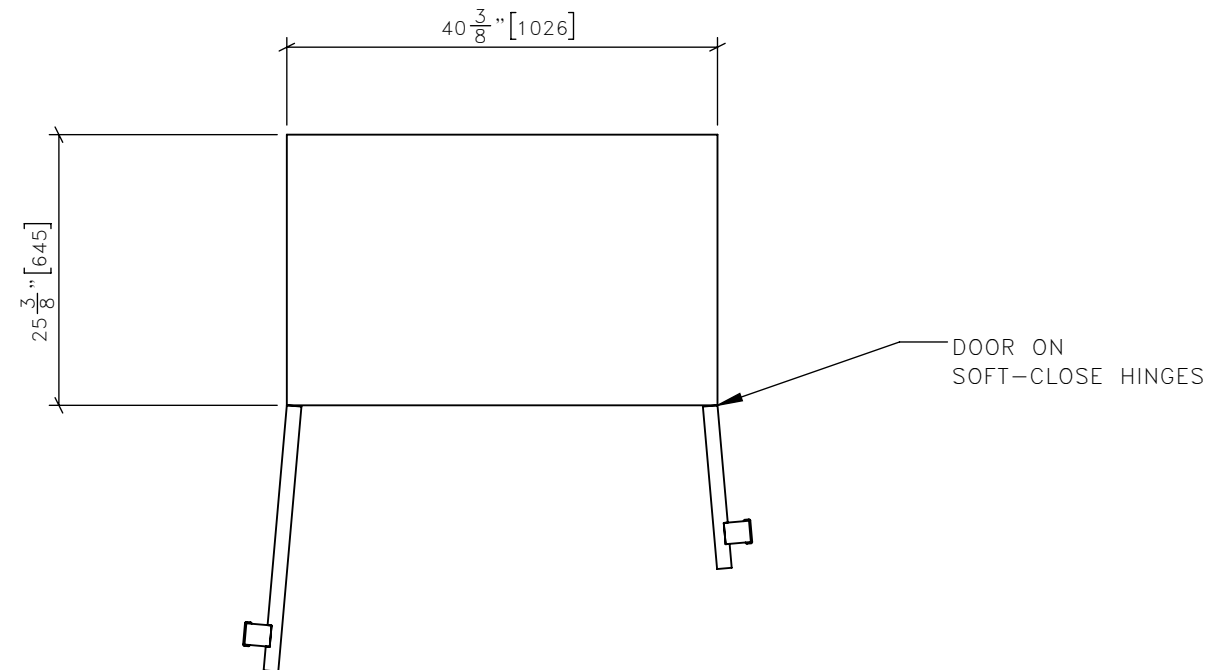
FOR DESIGN INTENT ONLY

DRAWING ARE NOT TO BE SCALED. CONTRACTOR MUST CHECK AND VERIFY ALL JOB DIMENSIONS, DRAWINGS, DETAILS AND SPECIFICATIONS; AND REPORT ANY DISCREPANCIES TO DESIGNER BEFORE PROCEEDING WITH WORK.

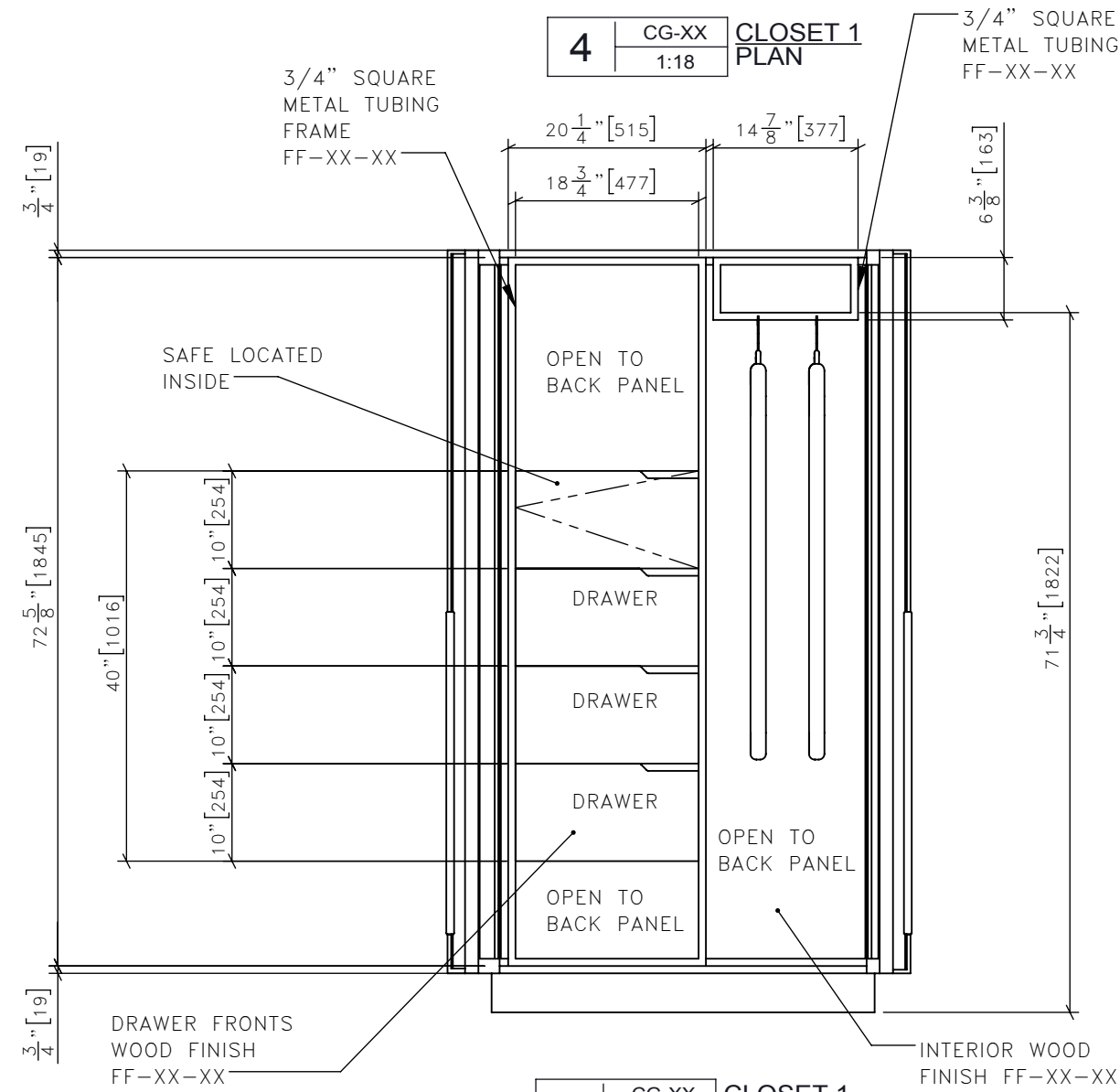
ALL DOOR ON SOFT CLOSE HINGES

ALL DRAWERS ON SOFT CLOSE UNDERMOUNT SLIDES

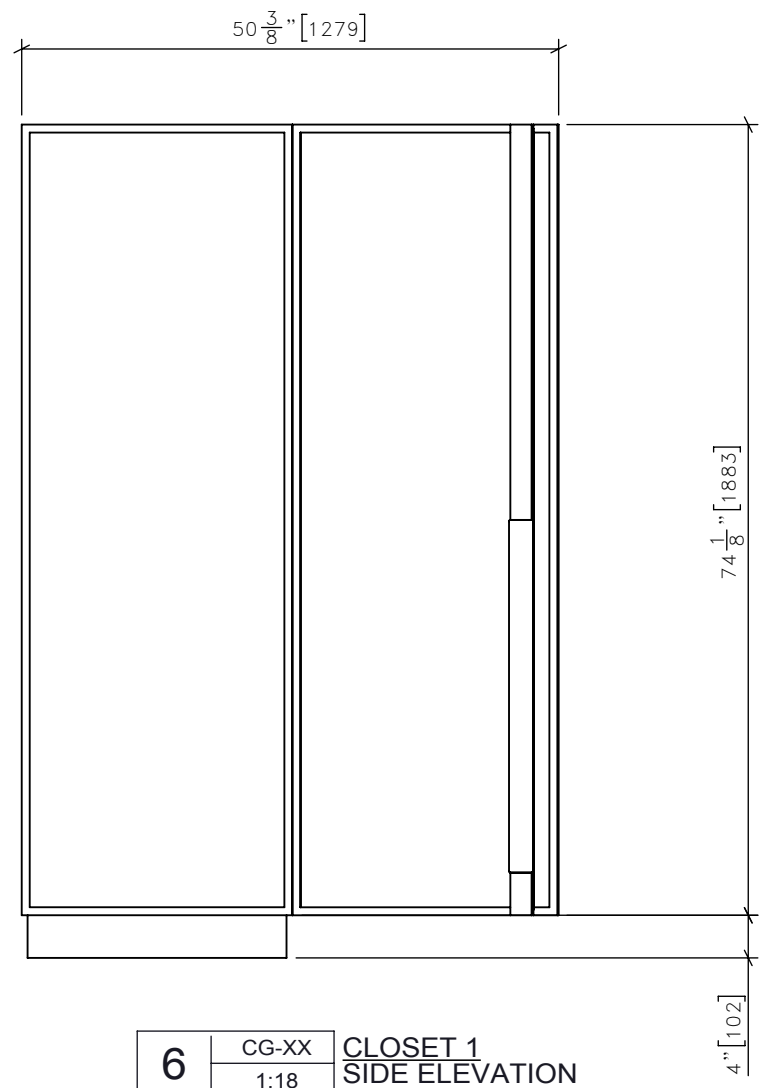
REV	ISSUED FOR	DATE



4 CG-XX CLOSET 1 PLAN
1:18



5 CG-XX CLOSET 1 FRONT ELEVATION
1:18



6 CG-XX CLOSET 1 SIDE ELEVATION
1:18

STUDIO MUNGE
25 WINGOLD AVENUE
TORONTO, ONTARIO
M6B 1P8 CANADA
416.588.1668
STUDIOMUNGE.COM

SCALE AS NOTED
DATE 10/26/17

DRAWN BY EH
CHECKED BY

PROJECT NAME
BRIDGEWATER HOTEL M.U.R.

DRAWING TITLE
CG-XX
CLOSET 1

PROJECT NUMBER
16129

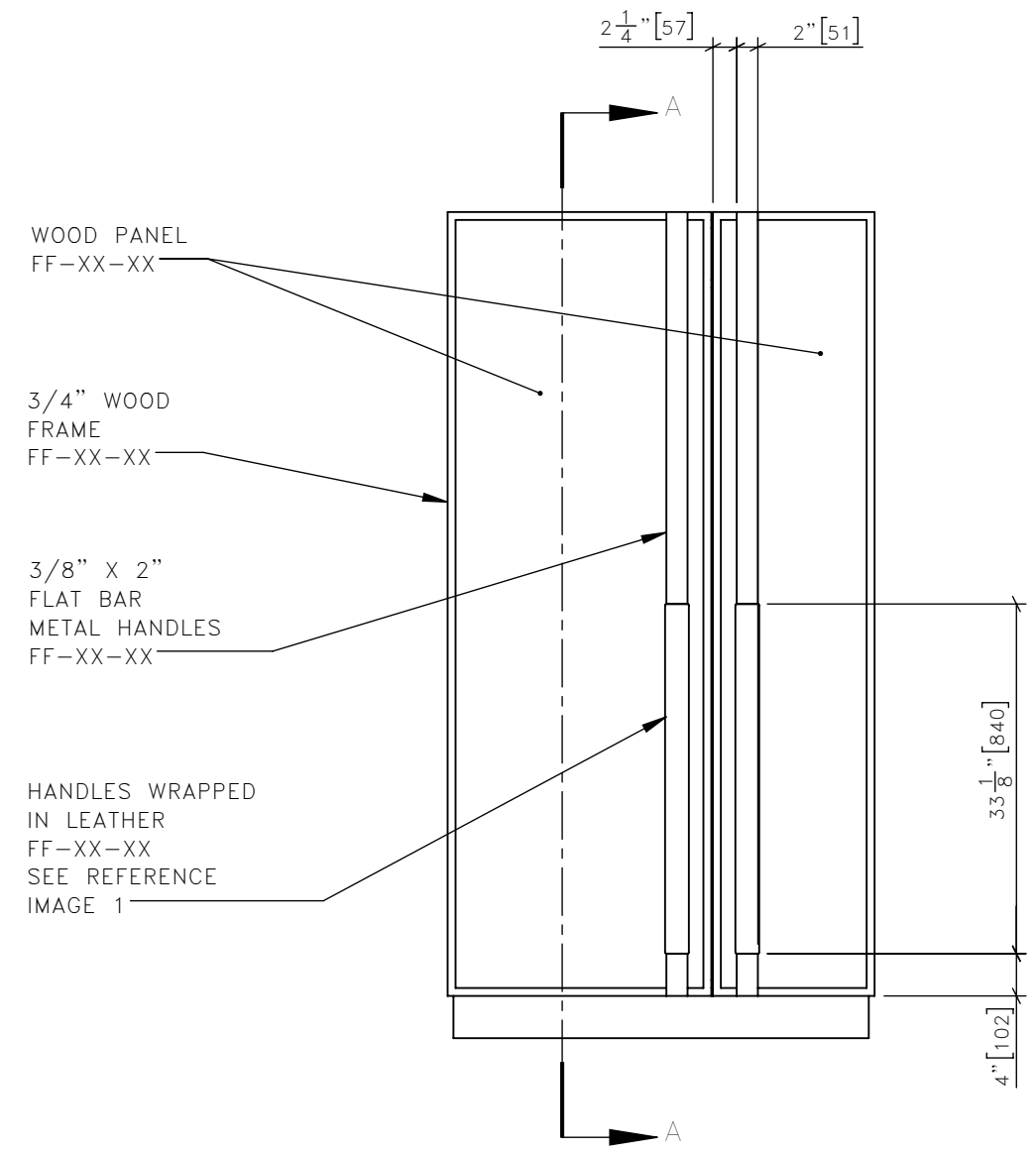
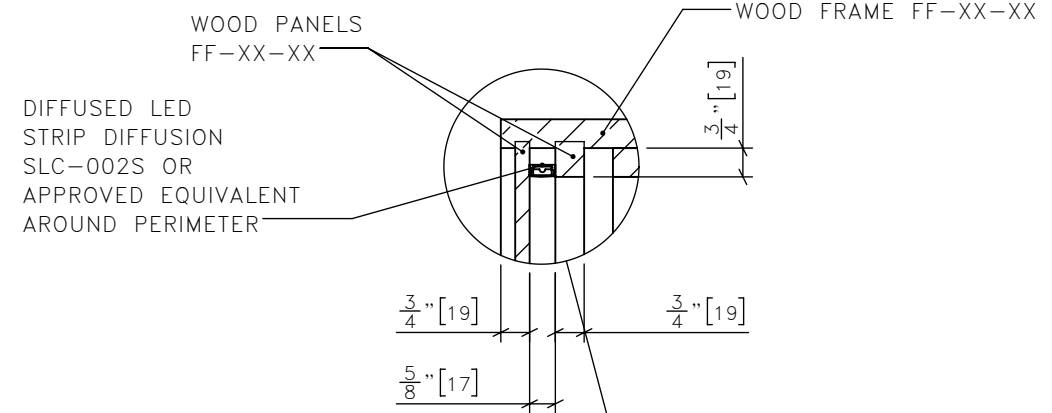
DRAWING NUMBER
2 / 4

FOR DESIGN INTENT ONLY

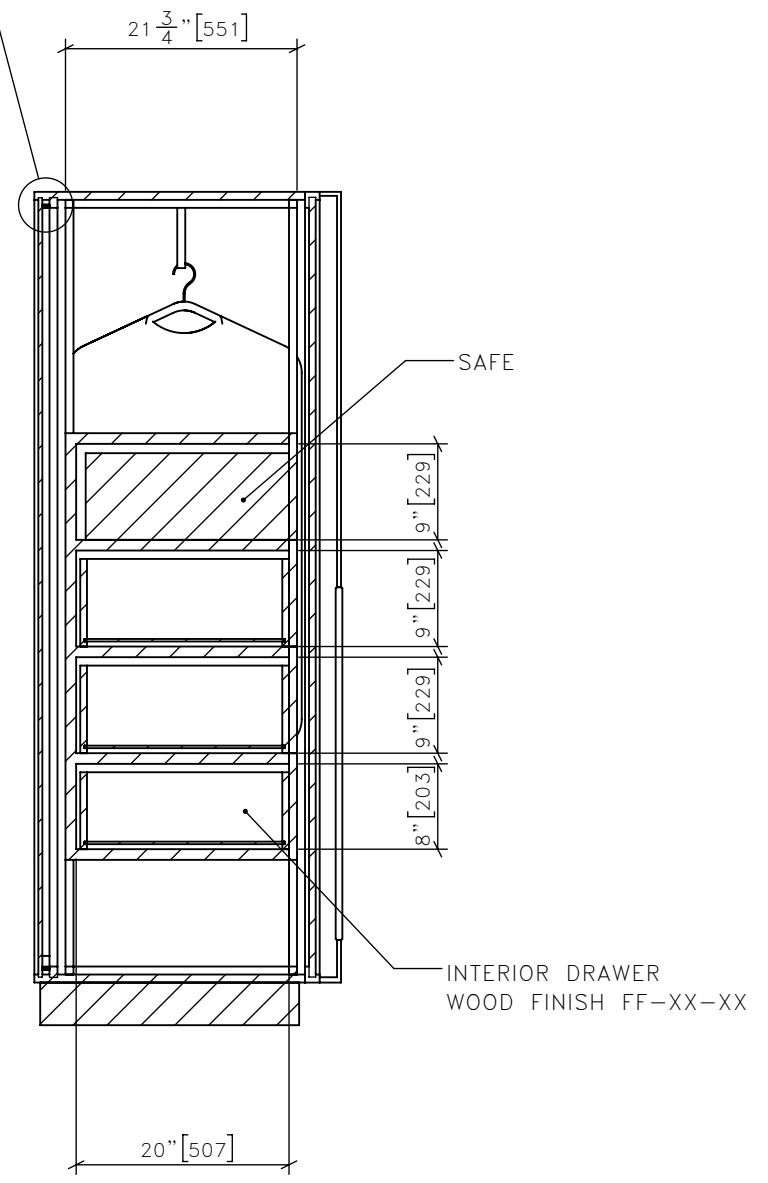
DRAWING ARE NOT TO BE SCALED. CONTRACTOR MUST CHECK AND VERIFY ALL JOB DIMENSIONS, DRAWINGS, DETAILS AND SPECIFICATIONS; AND REPORT ANY DISCREPANCIES TO DESIGNER BEFORE PROCEEDING WITH WORK.

ALL DOOR ON SOFT CLOSE HINGES
ALL DRAWERS ON SOFT CLOSE UNDERMOUNT SLIDES

REV	ISSUED FOR	DATE



7 CG-XX CLOSET 1 FRONT ELEVATION
1:18



8 CG-XX CLOSET 1 SECTION A
1:18

STUDIO MUNGE
25 WINGOLD AVENUE
TORONTO, ONTARIO
M6B 1P8 CANADA
416.588.1668
STUDIOMUNGE.COM

SCALE AS NOTED DATE 10/26/17

DRAWN BY EH CHECKED BY

PROJECT NAME

BRIDGEWATER HOTEL M.U.R.

DRAWING TITLE

CG-XX CLOSET 1

PROJECT NUMBER 16129

DRAWING NUMBER 3 / 4

STUDIO MUNGE
E
D
C
B
A
Y

FOR DESIGN INTENT ONLY

DRAWING ARE NOT TO BE SCALED. CONTRACTOR MUST CHECK AND VERIFY ALL JOB DIMENSIONS, DRAWINGS, DETAILS AND SPECIFICATIONS; AND REPORT ANY DISCREPANCIES TO DESIGNER BEFORE PROCEEDING WITH WORK.

REV	ISSUED FOR	DATE



STUDIO MUNGE
25 WINGOLD AVENUE
TORONTO, ONTARIO
M6B 1P8 CANADA
416.588.1668
STUDIOMUNGE.COM

SCALE
AS NOTED

DATE
10/26/17

DRAWN BY
EH

CHECKED BY

PROJECT NAME
BRIDGEWATER HOTEL M.U.R.

DRAWING TITLE
CG-XX
CLOSET 1

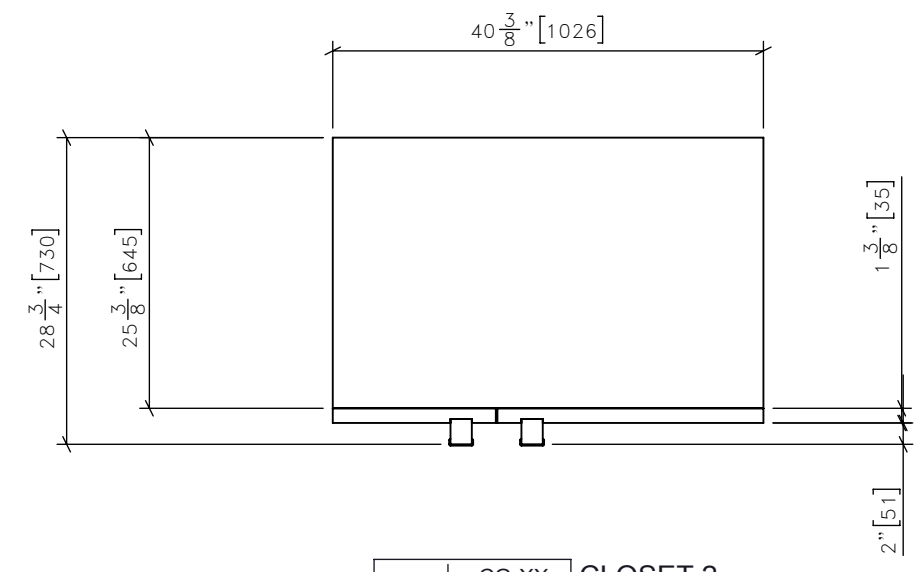
PROJECT NUMBER
16129

DRAWING NUMBER
4 / 4

9 CG-XX CLOSET 1
NTS RENDERING

FOR DESIGN INTENT ONLY

DRAWING ARE NOT TO BE SCALED. CONTRACTOR MUST CHECK AND VERIFY ALL JOB DIMENSIONS, DRAWINGS, DETAILS AND SPECIFICATIONS; AND REPORT ANY DISCREPANCIES TO DESIGNER BEFORE PROCEEDING WITH WORK.

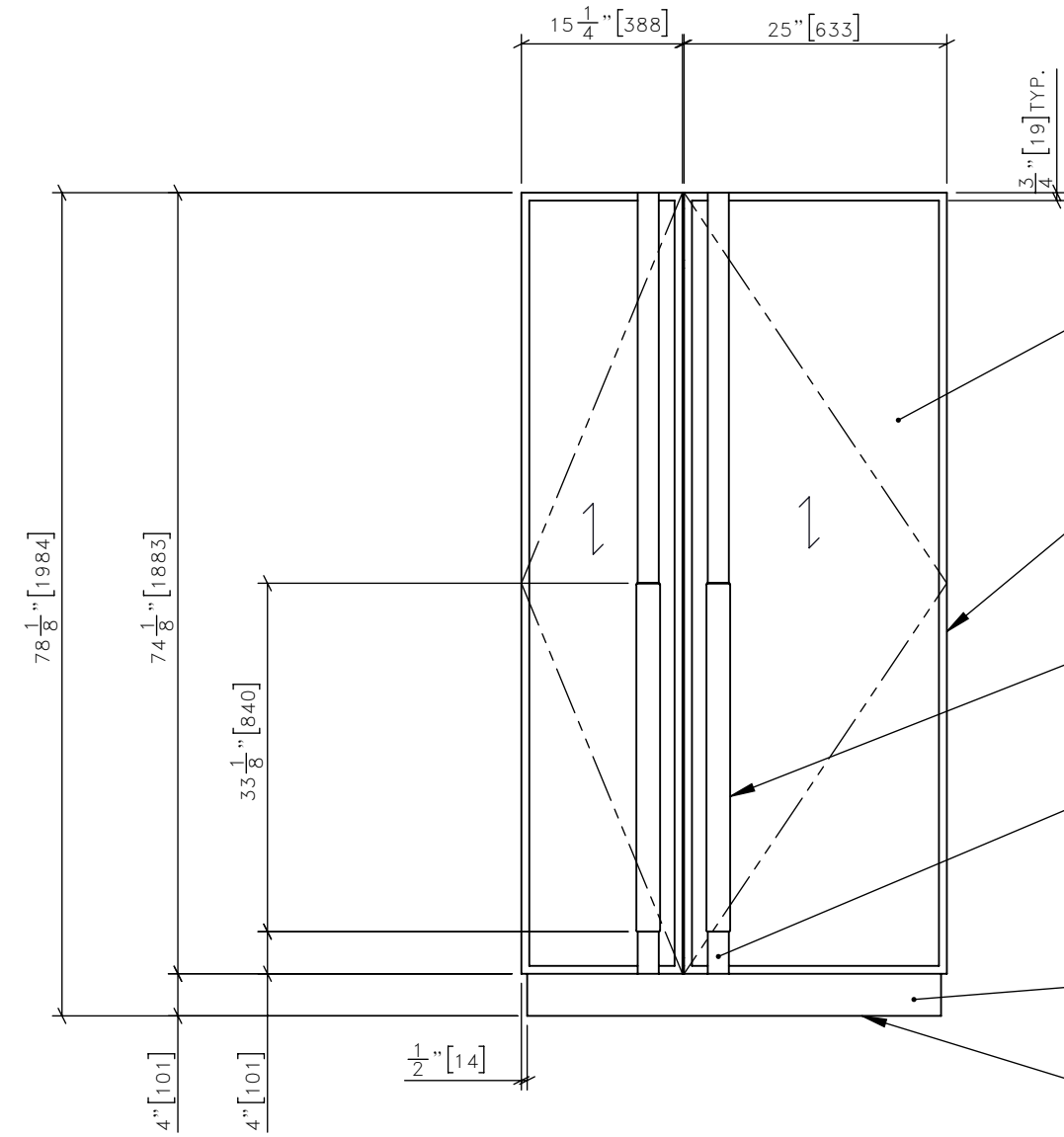


1 CG-XX CLOSET 2 PLAN
1:18



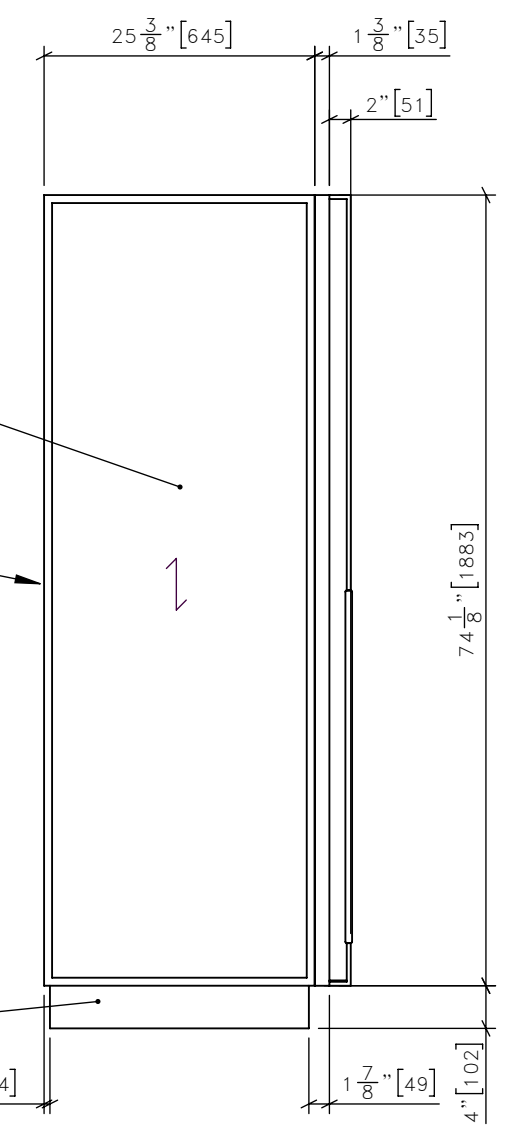
REFERENCE IMAGE 1

REV	ISSUED FOR	DATE



2 CG-XX CLOSET 2 FRONT ELEVATION
1:18

- WOOD PANEL FF-XX-XX INSET 1/8"
- WOOD FRAME FF-XX-XX
- HANDLE WRAPPED IN LEATHER FF-XX-XX SEE REFERENCE IMAGE 1
- HANDLE 3/8" X 2" FLAT BAR METAL FF-XX-XX
- WOOD BASE FF-XX-XX
- ADD LOW PROFILE LEVELLING FEET AS REQUIRED



3 CG-XX CLOSET 2 SIDE ELEVATION
1:18

STUDIO MUNGE
25 WINGOLD AVENUE
TORONTO, ONTARIO
M6B 1P8 CANADA
416.588.1668
STUDIOMUNGE.COM

SCALE AS NOTED
DATE 10/26/17

DRAWN BY EH
CHECKED BY

PROJECT NAME
BRIDGEWATER HOTEL M.U.R.

DRAWING TITLE
CG-XX CLOSET 2

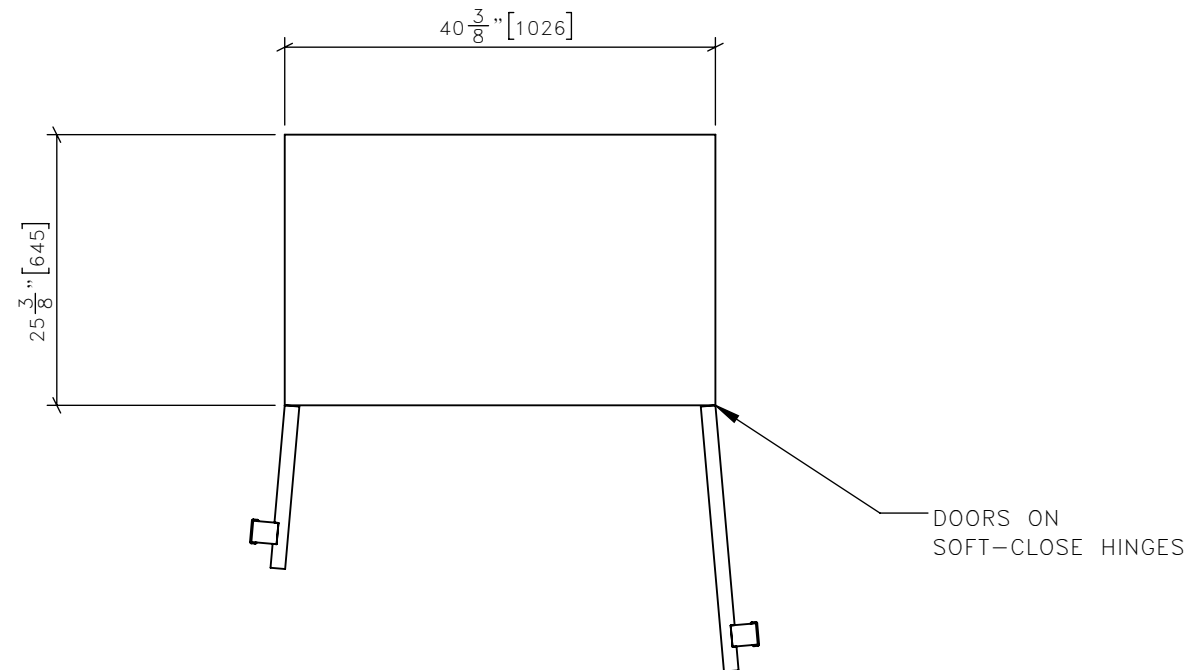
PROJECT NUMBER
16129

DRAWING NUMBER
1 / 4

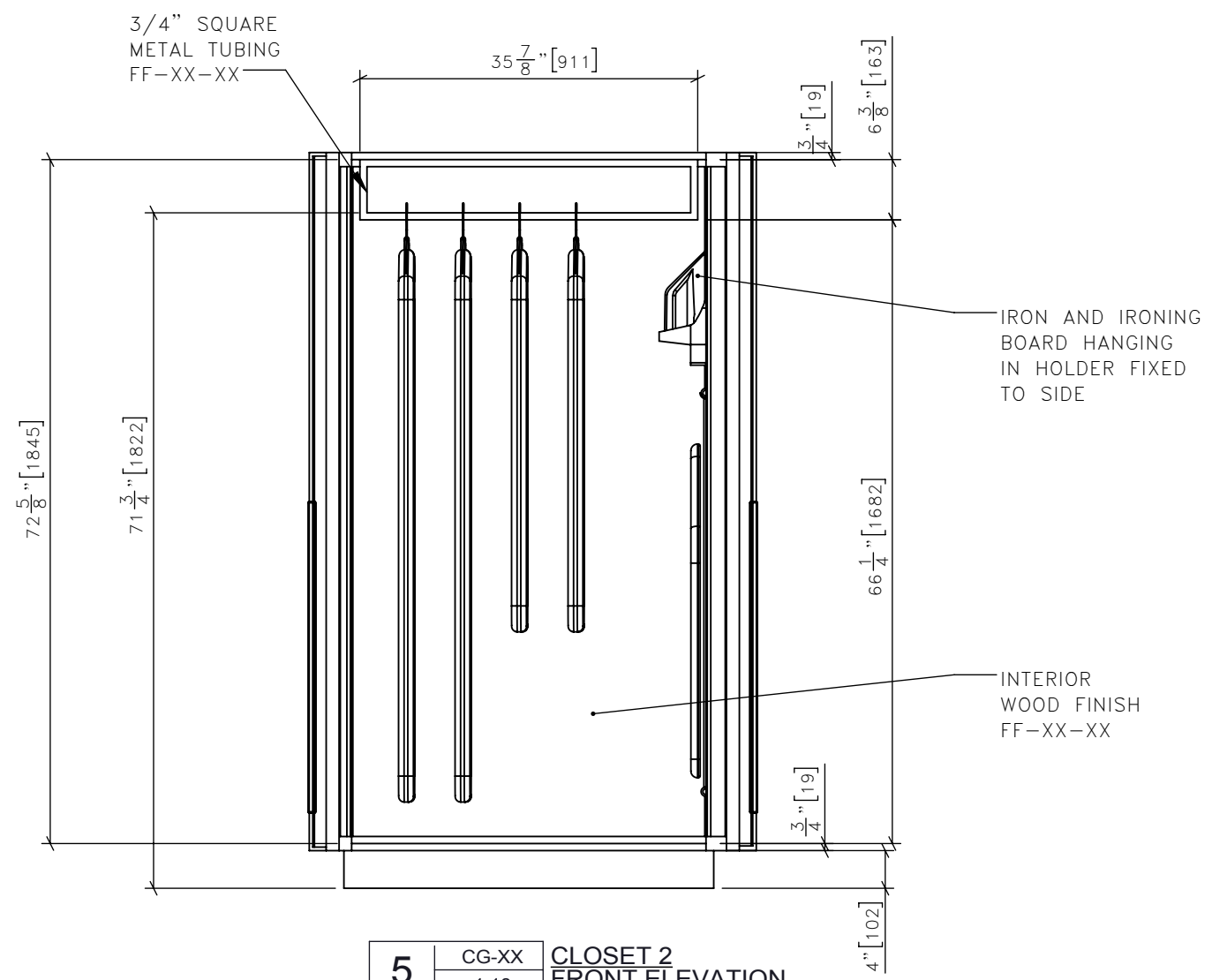
FOR DESIGN INTENT ONLY

DRAWING ARE NOT TO BE SCALED. CONTRACTOR MUST CHECK AND VERIFY ALL JOB DIMENSIONS, DRAWINGS, DETAILS AND SPECIFICATIONS; AND REPORT ANY DISCREPANCIES TO DESIGNER BEFORE PROCEEDING WITH WORK.

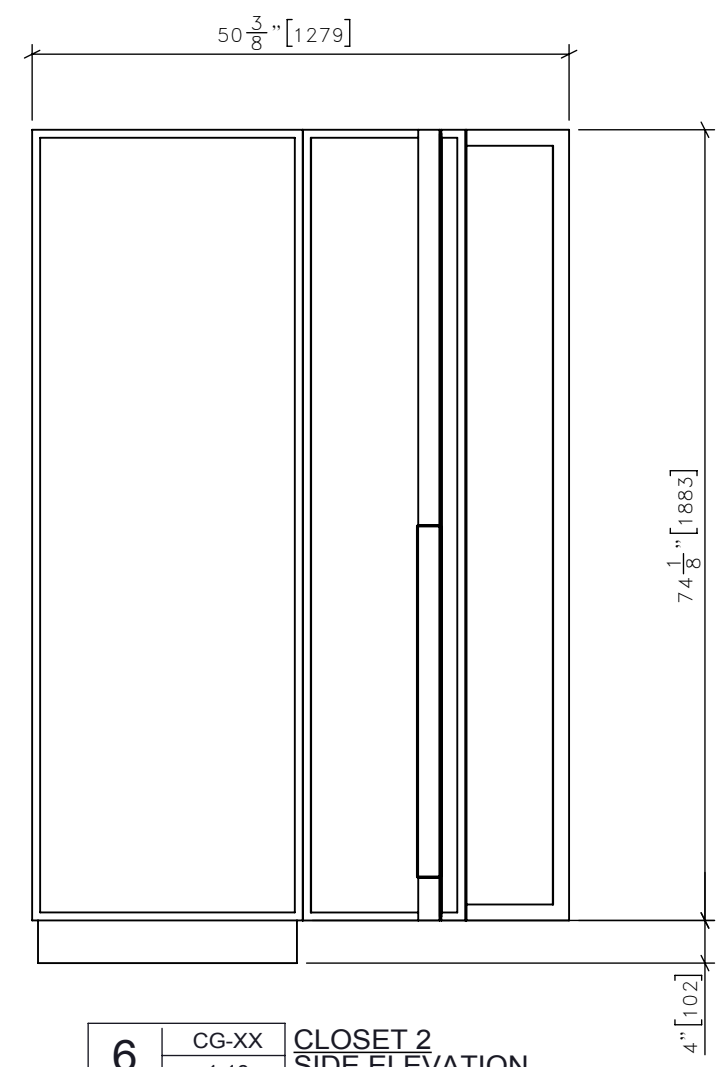
REV	ISSUED FOR	DATE



4 CG-XX CLOSET 2 PLAN
1:18



5 CG-XX CLOSET 2 FRONT ELEVATION
1:18



6 CG-XX CLOSET 2 SIDE ELEVATION
1:18

STUDIO MUNGE
 25 WINGOLD AVENUE
 TORONTO, ONTARIO
 M6B 1P8 CANADA
 416.588.1668
 STUDIOMUNGE.COM

SCALE AS NOTED	DATE 10/26/17
DRAWN BY EH	CHECKED BY
PROJECT NAME BRIDGEWATER HOTEL M.U.R.	
DRAWING TITLE CG-XX CLOSET 2	
PROJECT NUMBER 16129	
DRAWING NUMBER 2 / 4	

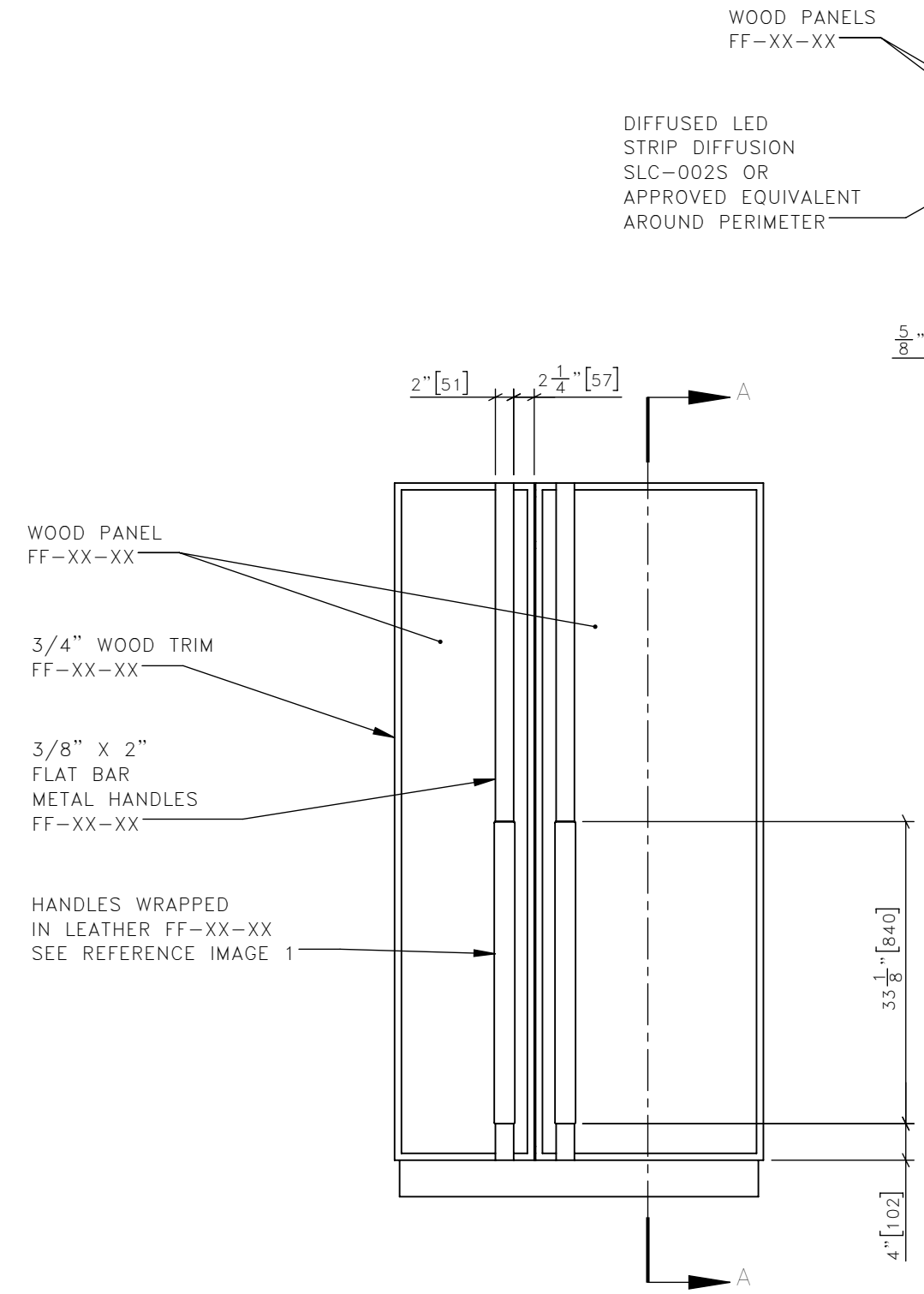
STUDIO MUNGE

FOR DESIGN INTENT ONLY

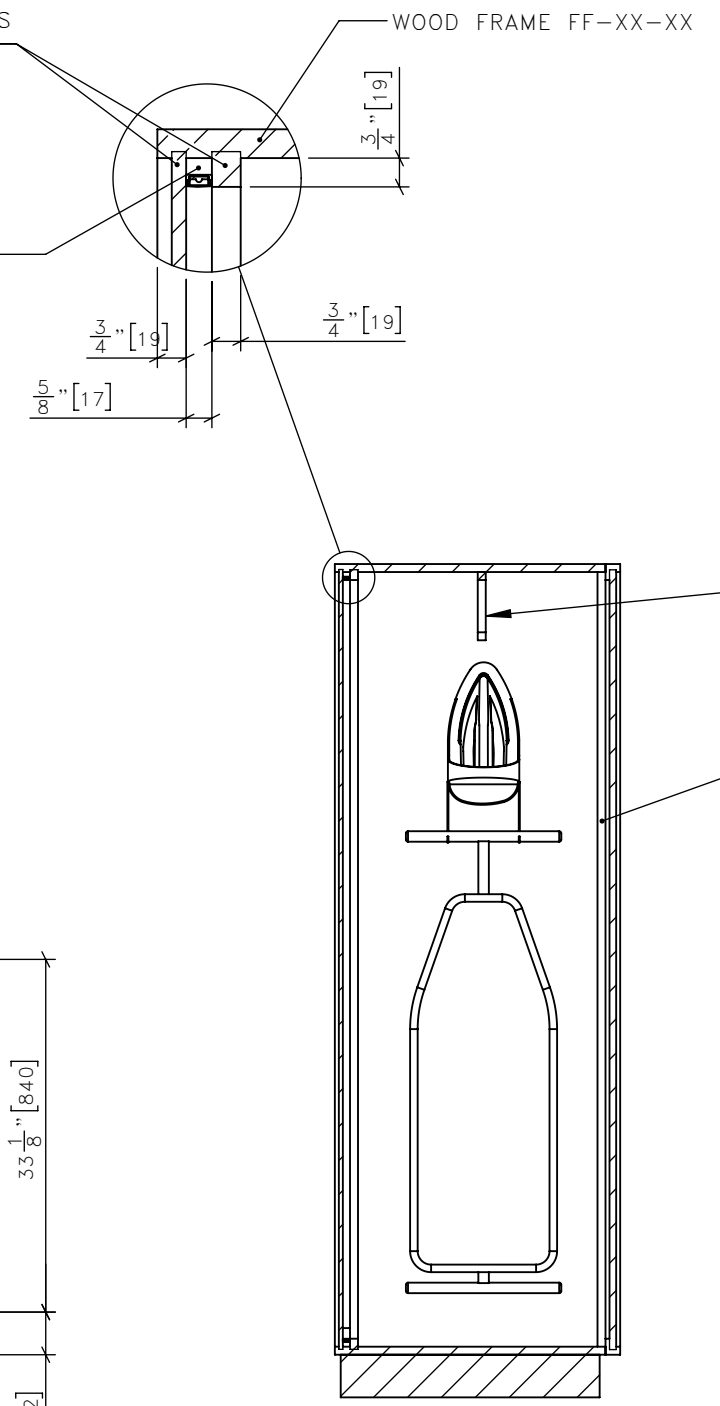
DRAWING ARE NOT TO BE SCALED. CONTRACTOR MUST CHECK AND VERIFY ALL JOB DIMENSIONS, DRAWINGS, DETAILS AND SPECIFICATIONS; AND REPORT ANY DISCREPANCIES TO DESIGNER BEFORE PROCEEDING WITH WORK.

ALL DOOR ON SOFT CLOSE HINGES
ALL DRAWERS ON SOFT CLOSE UNDERMOUNT SLIDES

REV	ISSUED FOR	DATE



7 | CG-XX | 1:18 | CLOSET 2 FRONT ELEVATION



8 | CG-XX | 1:18 | CLOSET 2 SECTION A

STUDIO MUNGE
25 WINGOLD AVENUE
TORONTO, ONTARIO
M6B 1P8 CANADA
416.588.1668
STUDIOMUNGE.COM

SCALE	AS NOTED	DATE	10/26/17
DRAWN BY	EH	CHECKED BY	
PROJECT NAME	BRIDGEWATER HOTEL M.U.R.		
DRAWING TITLE	CG-XX CLOSET 2		
PROJECT NUMBER	16129		
DRAWING NUMBER	3 / 4		

STUDIO MUNGE
M
D
C
B
A
Y

FOR DESIGN INTENT ONLY

DRAWING ARE NOT TO BE SCALED. CONTRACTOR MUST CHECK AND VERIFY ALL JOB DIMENSIONS, DRAWINGS, DETAILS AND SPECIFICATIONS; AND REPORT ANY DISCREPANCIES TO DESIGNER BEFORE PROCEEDING WITH WORK.

REV	ISSUED FOR	DATE



STUDIO MUNGE
25 WINGOLD AVENUE
TORONTO, ONTARIO
M6B 1P8 CANADA
416.588.1668
STUDIOMUNGE.COM

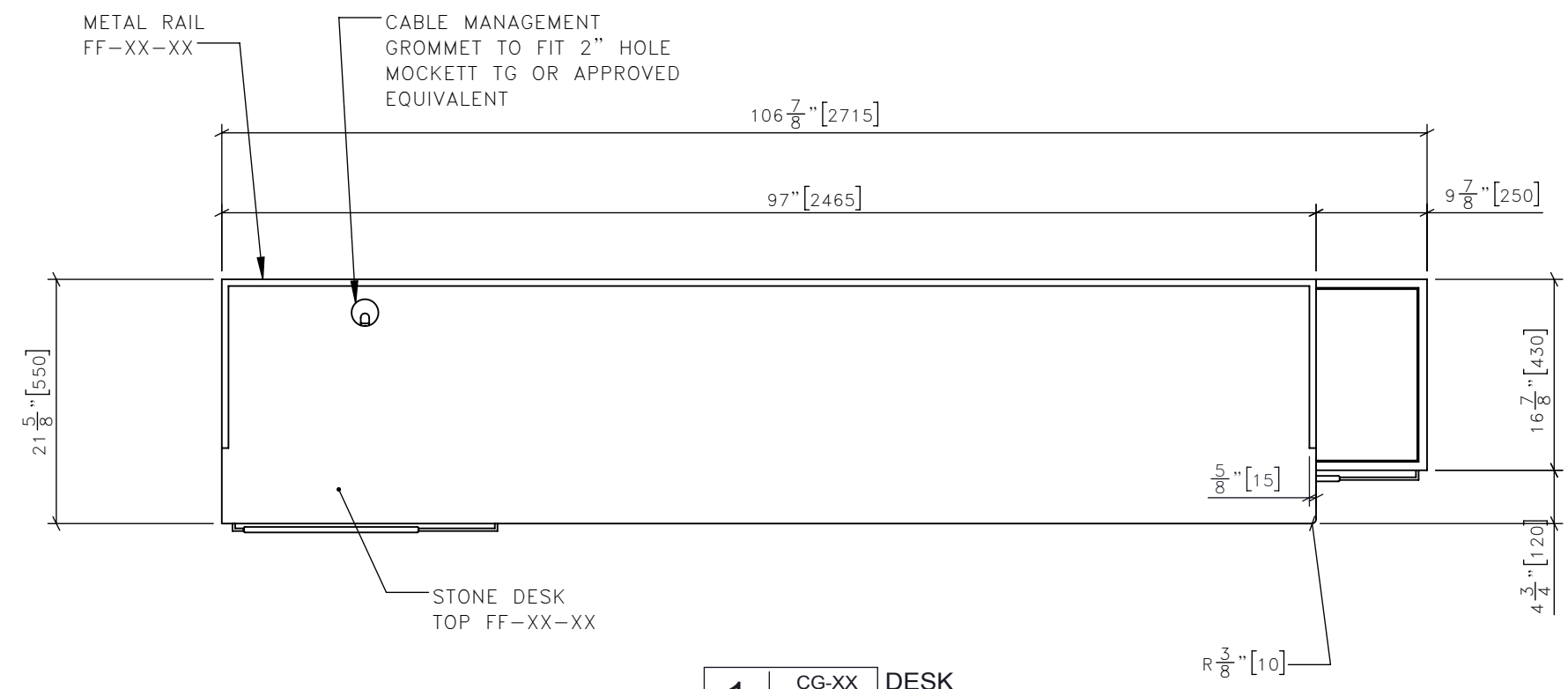
SCALE AS NOTED	DATE 10/26/17
DRAWN BY EH	CHECKED BY
PROJECT NAME BRIDGEWATER HOTEL M.U.R.	
DRAWING TITLE CG-XX CLOSET 2	
PROJECT NUMBER 16129	
DRAWING NUMBER 4 / 4	

9 | CG-XX | CLOSET 2
NTS | NTS | RENDERING

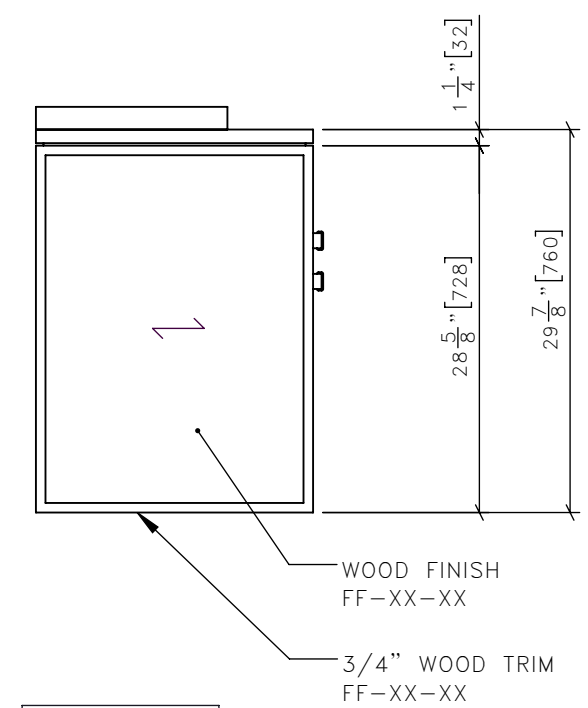
FOR DESIGN INTENT ONLY

DRAWING ARE NOT TO BE SCALED. CONTRACTOR MUST CHECK AND VERIFY ALL JOB DIMENSIONS, DRAWINGS, DETAILS AND SPECIFICATIONS; AND REPORT ANY DISCREPANCIES TO DESIGNER BEFORE PROCEEDING WITH WORK.

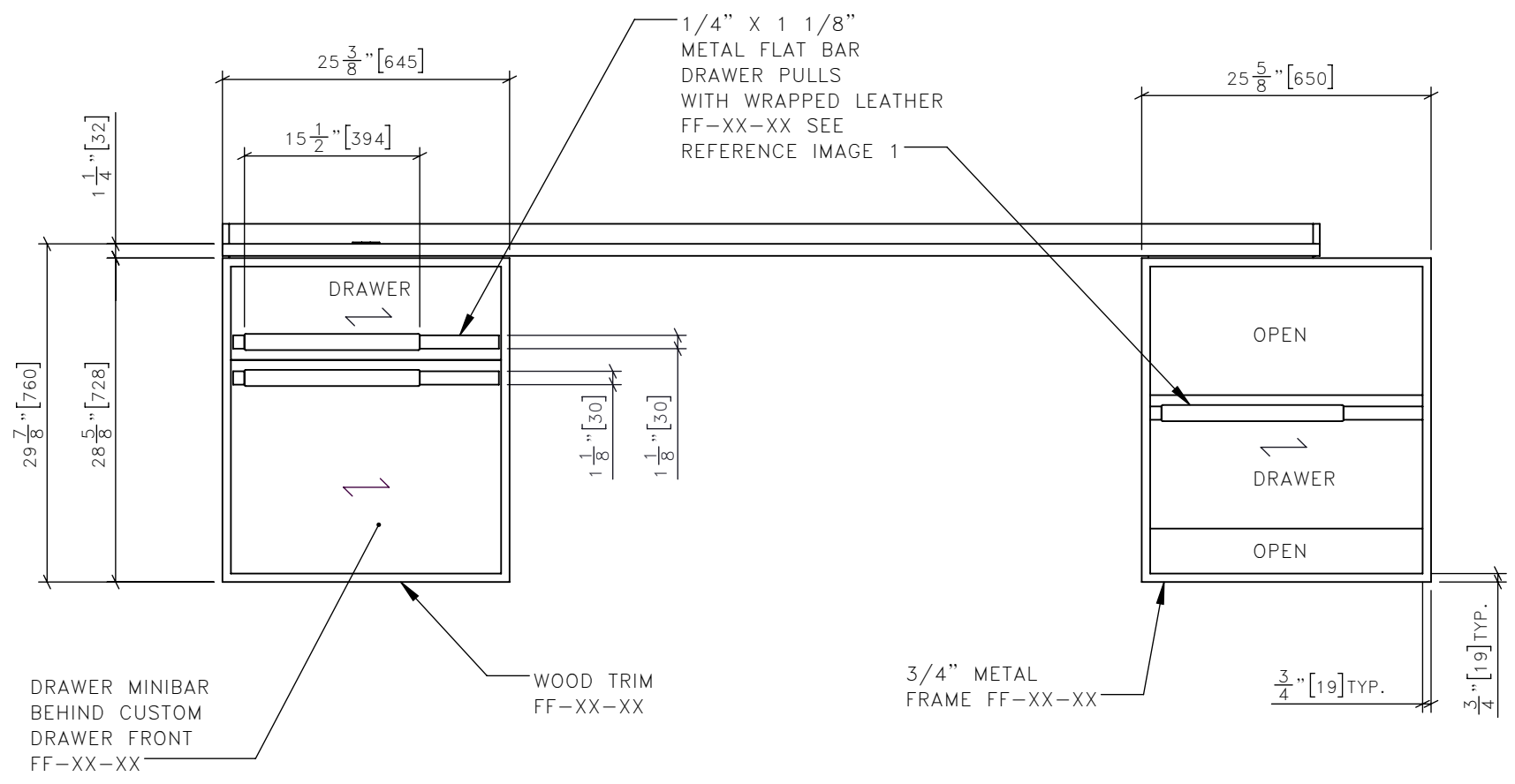
REV	ISSUED FOR	DATE



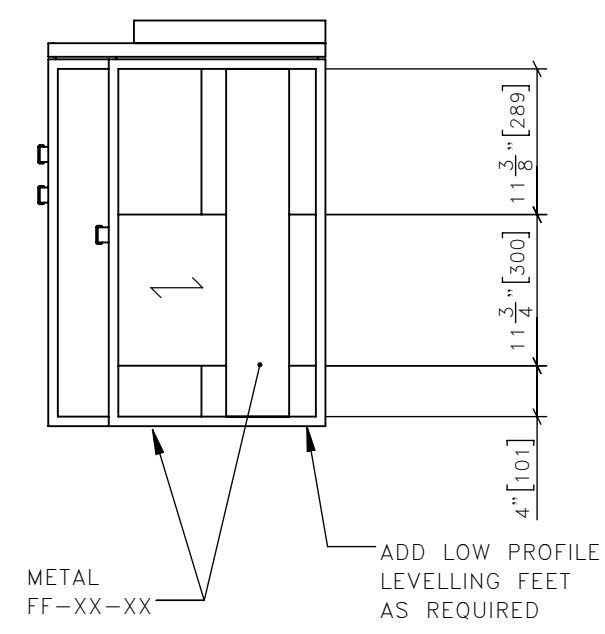
1 CG-XX
1:15
DESK PLAN



3 CG-XX
1:15
DESK SIDE ELEVATION



2 CG-XX
1:15
DESK FRONT ELEVATION



4 CG-XX
1:15
DESK SIDE ELEVATION

STUDIO MUNGE
25 WINGOLD AVENUE
TORONTO, ONTARIO
M6B 1P8 CANADA
416.588.1668
STUDIOMUNGE.COM

SCALE AS NOTED
DATE 10/23/17

DRAWN BY EH
CHECKED BY

PROJECT NAME
BRIDGEWATER HOTEL M.U.R.

DRAWING TITLE
CG-XX
DESK

PROJECT NUMBER
16129

DRAWING NUMBER
1 / 4

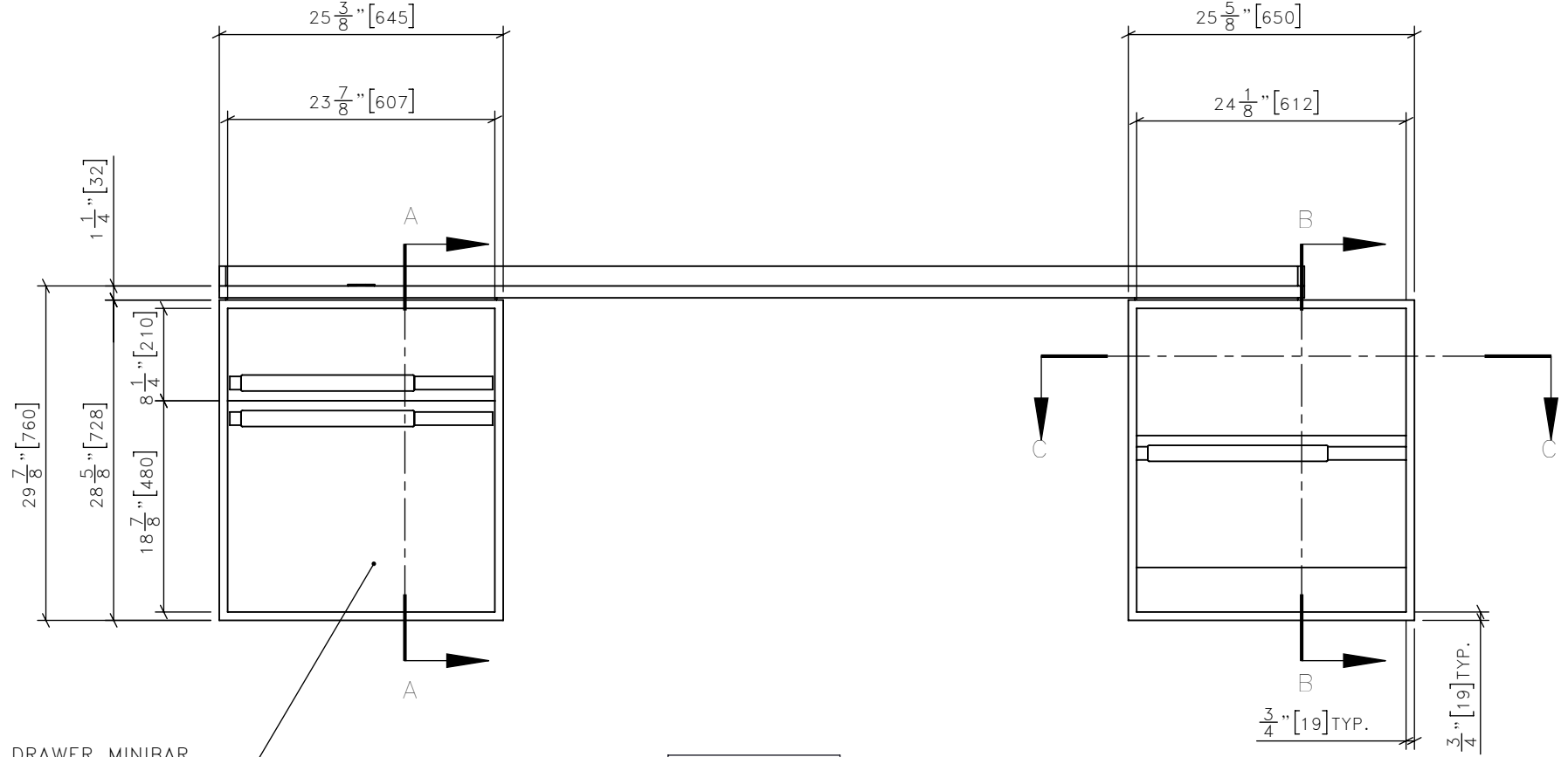
FOR DESIGN INTENT ONLY

DRAWING ARE NOT TO BE SCALED. CONTRACTOR MUST CHECK AND VERIFY ALL JOB DIMENSIONS, DRAWINGS, DETAILS AND SPECIFICATIONS; AND REPORT ANY DISCREPANCIES TO DESIGNER BEFORE PROCEEDING WITH WORK.

REV	ISSUED FOR	DATE

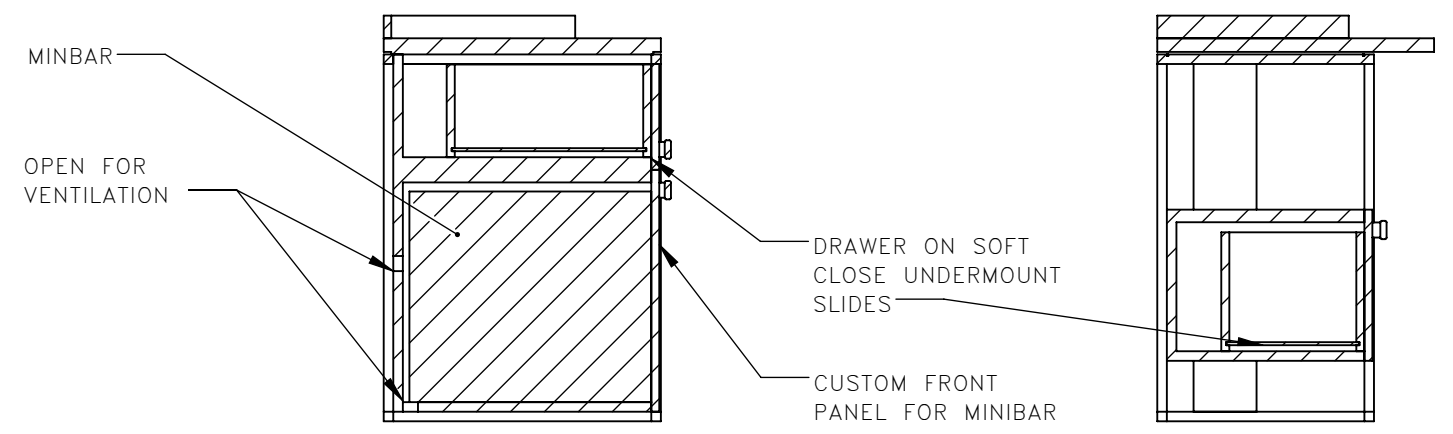


REFERENCE IMAGE 1



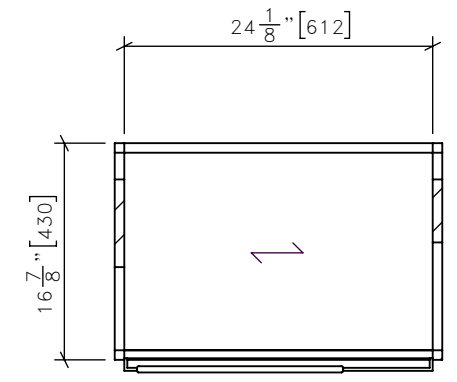
DRAWER MINIBAR BEHIND CUSTOM DRAWER FRONT

5	CG-XX	DESK FRONT ELEVATION
	1:15	



6	CG-XX	DESK SECTION A
	1:15	

7	CG-XX	DESK SECTION B
	1:15	



8	CG-XX	DESK SECTION C
	1:15	

STUDIO MUNGE
 25 WINGOLD AVENUE
 TORONTO, ONTARIO
 M6B 1P8 CANADA
 416.588.1668
 STUDIOMUNGE.COM

SCALE	AS NOTED	DATE	10/23/17
DRAWN BY	EH	CHECKED BY	
PROJECT NAME	BRIDGEWATER HOTEL M.U.R.		
DRAWING TITLE	CG-XX DESK		
PROJECT NUMBER	16129		
DRAWING NUMBER	2 / 4		

FOR DESIGN INTENT ONLY

DRAWING ARE NOT TO BE SCALED. CONTRACTOR MUST CHECK AND VERIFY ALL JOB DIMENSIONS, DRAWINGS, DETAILS AND SPECIFICATIONS; AND REPORT ANY DISCREPANCIES TO DESIGNER BEFORE PROCEEDING WITH WORK.

REV	ISSUED FOR	DATE

STUDIO MUNGE
 25 WINGOLD AVENUE
 TORONTO, ONTARIO
 M6B 1P8 CANADA
 416.588.1668
 STUDIOMUNGE.COM

-SCALE AS NOTED	-DATE 10/23/17
-DRAWN BY EH	-CHECKED BY
-PROJECT NAME BRIDGEWATER HOTEL M.U.R.	
-DRAWING TITLE CG-XX DESK	
-PROJECT NUMBER 16129	
-DRAWING NUMBER 3 / 4	

ICE BUCKET,
 ICE TONGS,
 CHAMPAGNE GLASSES,
 WINE GLASSES IN
 CUSTOM WOOD TRAY
 FF-XX-XX

COFFEE AND ESPRESSO
 CUPS WITH
 SPOONS AND SAUCERS,
 BOTTLED WATER,
 DISPOSABLE CUPS,
 TALL / SHORT GLASSES
 PRICE LIST / MENU

COFFEE MAKER
 KETTLE, TEAPOT,
 COFFEE PODS, TEA,
 SUGAR, NAPKINS,
 WINE OPENER AND
 COCKTAIL STIRRERS
 IN CUSTOM WOOD
 TRAY FF-XX-XX

SNACKS PROVIDED
 IN DRAWER

MINIBAR WITH
 CUSTOM DRAWER FRONT

DRAWER FOR
 NOTEPADS, PENS,
 AND ADDITIONAL
 SUPPLIES



STUDIO MUNGE
Y
E
M
D
C
B
A
Y

FOR DESIGN INTENT ONLY

DRAWING ARE NOT TO BE SCALED. CONTRACTOR MUST CHECK AND VERIFY ALL JOB DIMENSIONS, DRAWINGS, DETAILS AND SPECIFICATIONS; AND REPORT ANY DISCREPANCIES TO DESIGNER BEFORE PROCEEDING WITH WORK.

REV	ISSUED FOR	DATE



STUDIO MUNGE
25 WINGOLD AVENUE
TORONTO, ONTARIO
M6B 1P8 CANADA
416.588.1668
STUDIOMUNGE.COM

SCALE
AS NOTED

DATE
10/23/17

DRAWN BY
EH

CHECKED BY

PROJECT NAME
BRIDGEWATER HOTEL M.U.R.

DRAWING TITLE
CG-XX
DESK

PROJECT NUMBER
16129

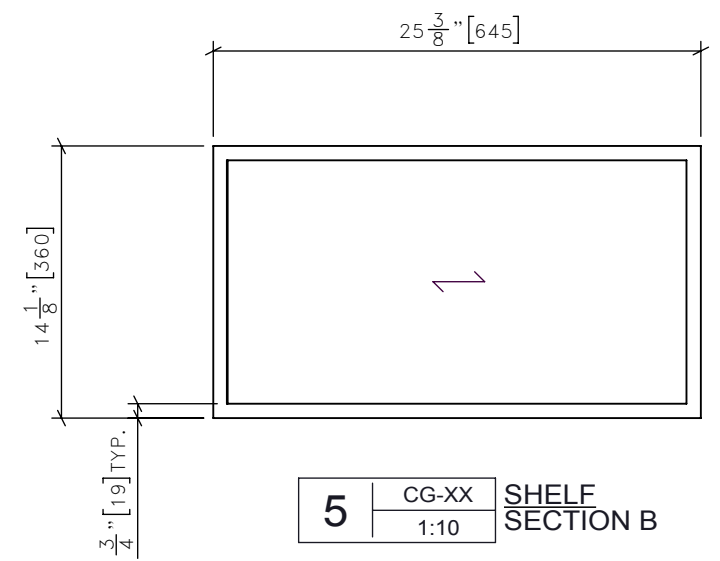
DRAWING NUMBER
4 / 4

10 CG-XX DESK
NTS RENDERING

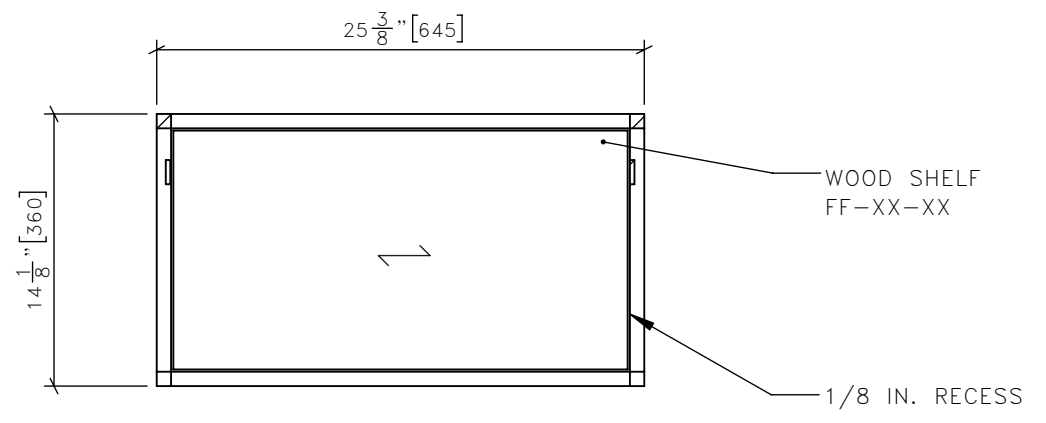
FOR DESIGN INTENT ONLY

DRAWING ARE NOT TO BE SCALED. CONTRACTOR MUST CHECK AND VERIFY ALL JOB DIMENSIONS, DRAWINGS, DETAILS AND SPECIFICATIONS; AND REPORT ANY DISCREPANCIES TO DESIGNER BEFORE PROCEEDING WITH WORK.

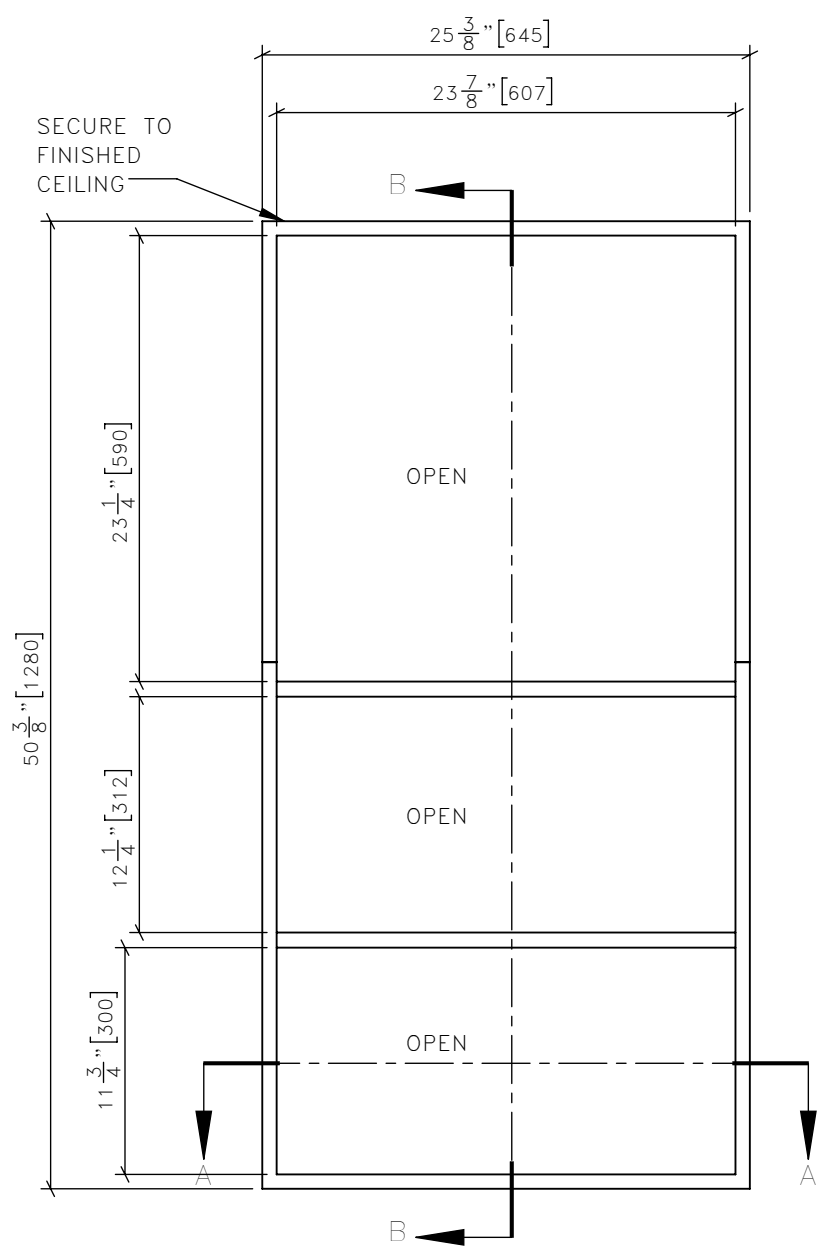
REV	ISSUED FOR	DATE



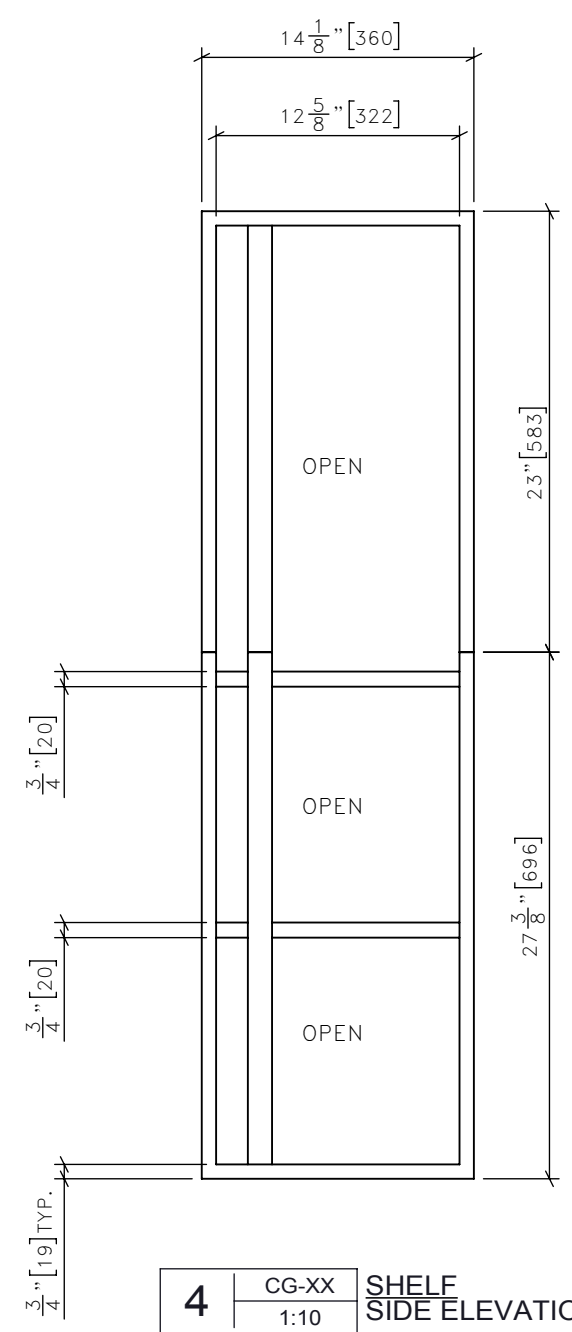
5 CG-XX SHELF SECTION B
1:10



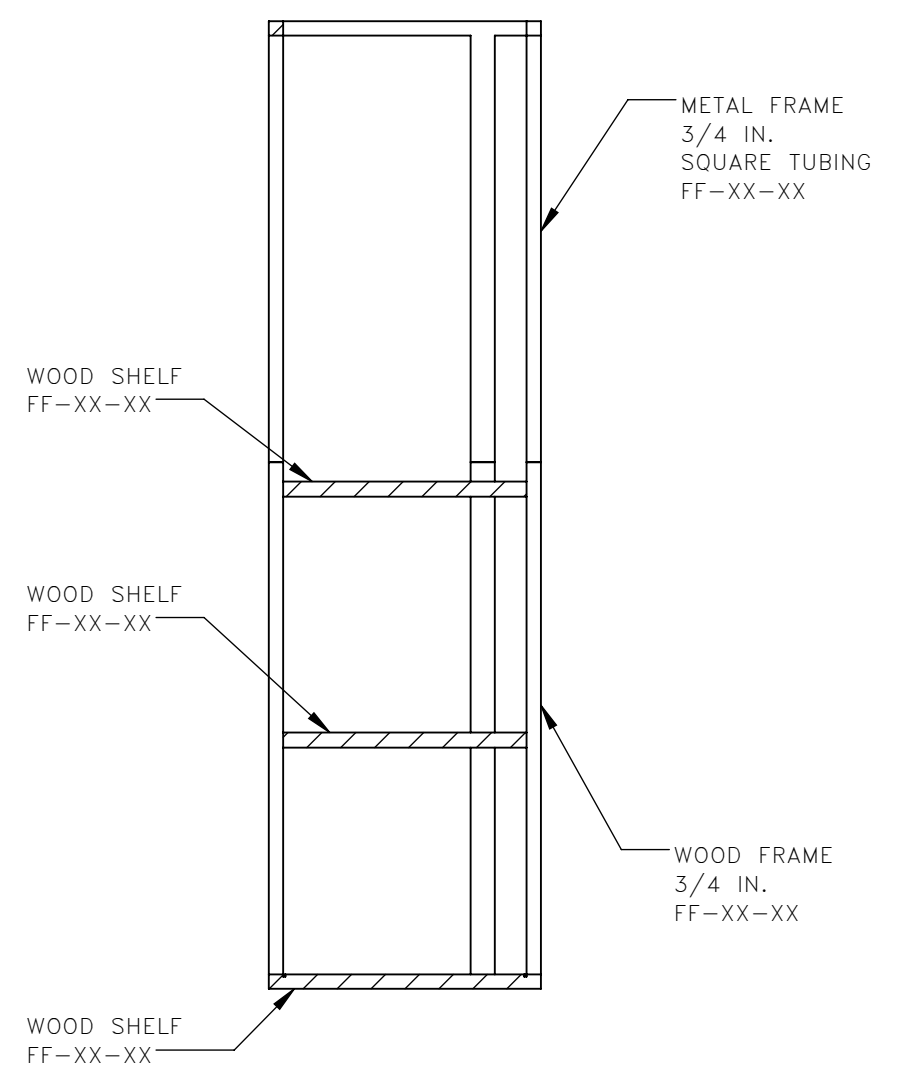
3 CG-XX SHELF SECTION A
1:10



2 CG-XX SHELF FRONT ELEVATION
1:10



4 CG-XX SHELF SIDE ELEVATION
1:10



5 CG-XX SHELF SECTION B
1:10

STUDIO MUNGE
25 WINGOLD AVENUE
TORONTO, ONTARIO
M6B 1P8 CANADA
416.588.1668
STUDIOMUNGE.COM

-SCALE AS NOTED
-DATE 10/23/17

-DRAWN BY EH
-CHECKED BY

-PROJECT NAME

BRIDGEWATER HOTEL M.U.R.

-DRAWING TITLE

CG-XX SHELF

-PROJECT NUMBER 16129

-DRAWING NUMBER 1 / 2

STUDIO MUNGE
Y
E
M
D
C
B
A
Y

FOR DESIGN INTENT ONLY

DRAWING ARE NOT TO BE SCALED. CONTRACTOR MUST CHECK AND VERIFY ALL JOB DIMENSIONS, DRAWINGS, DETAILS AND SPECIFICATIONS; AND REPORT ANY DISCREPANCIES TO DESIGNER BEFORE PROCEEDING WITH WORK.

REV	ISSUED FOR	DATE



STUDIO MUNGE
25 WINGOLD AVENUE
TORONTO, ONTARIO
M6B 1P8 CANADA
416.588.1668
STUDIOMUNGE.COM

SCALE
AS NOTED

DATE
10/23/17

DRAWN BY
EH

CHECKED BY

PROJECT NAME
BRIDGEWATER HOTEL M.U.R.

DRAWING TITLE
CG-XX
SHELF

PROJECT NUMBER
16129

DRAWING NUMBER
2 / 2

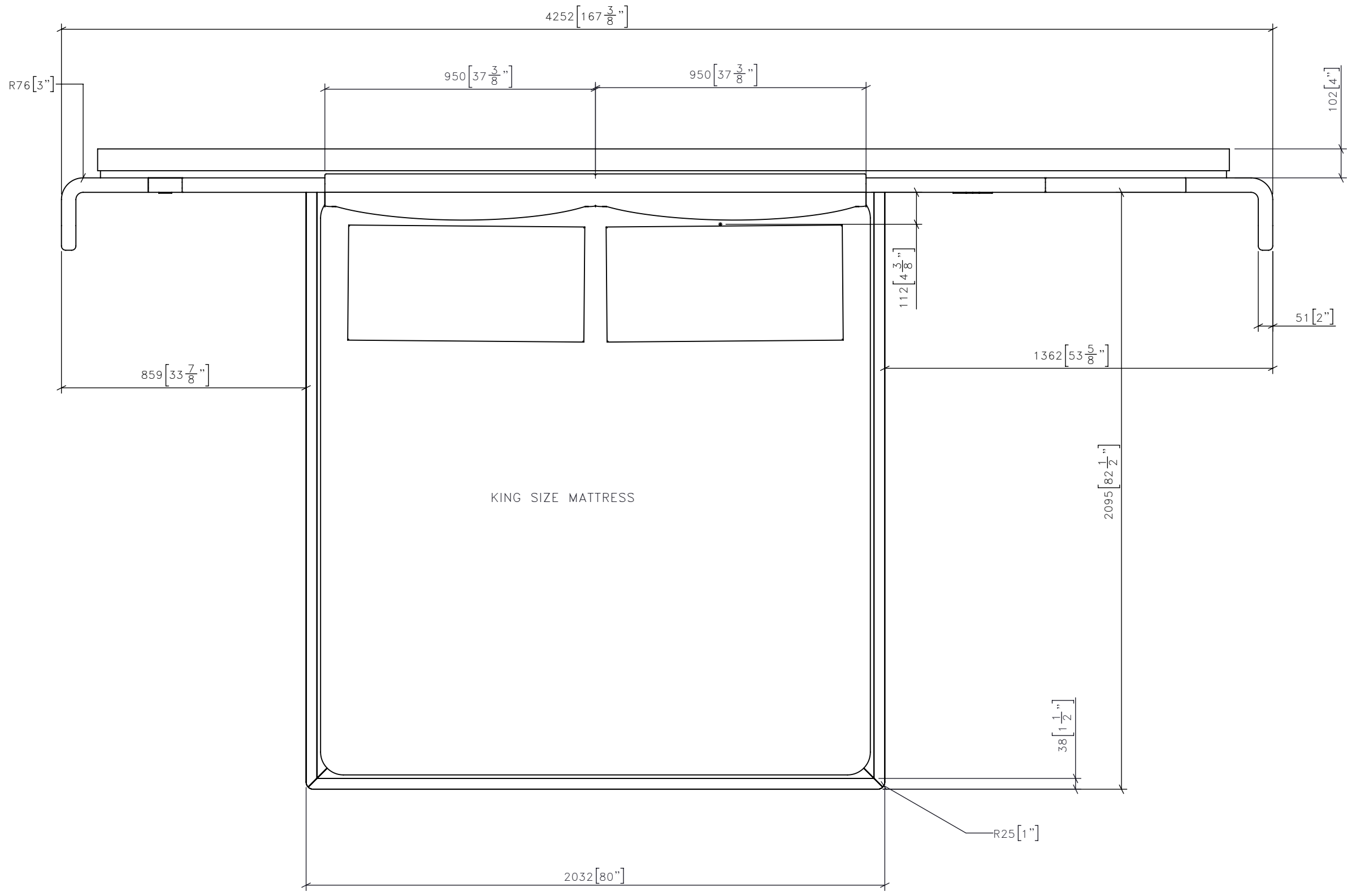
6 | CG-XX | SHELF
NTS | RENDERING

STUDIO MUNGE
X
Y
A
B
C
D
E
F
X
Y

FOR DESIGN INTENT ONLY

DRAWING ARE NOT TO BE SCALED. CONTRACTOR MUST CHECK AND VERIFY ALL JOB DIMENSIONS, DRAWINGS, DETAILS AND SPECIFICATIONS; AND REPORT ANY DISCREPANCIES TO DESIGNER BEFORE PROCEEDING WITH WORK.

REV	ISSUED FOR	DATE



STUDIO MUNGE
25 WINGOLD AVENUE
TORONTO, ONTARIO
M6B 1P8 CANADA
416.588.1668
STUDIOMUNGE.COM

-SCALE
AS NOTED

-DATE
10/31/17

-DRAWN BY
EP

-CHECKED BY

-PROJECT NAME

BRIDGEWATER

-DRAWING TITLE

CG-XXX
KING BED FRAME

-PROJECT NUMBER
16129

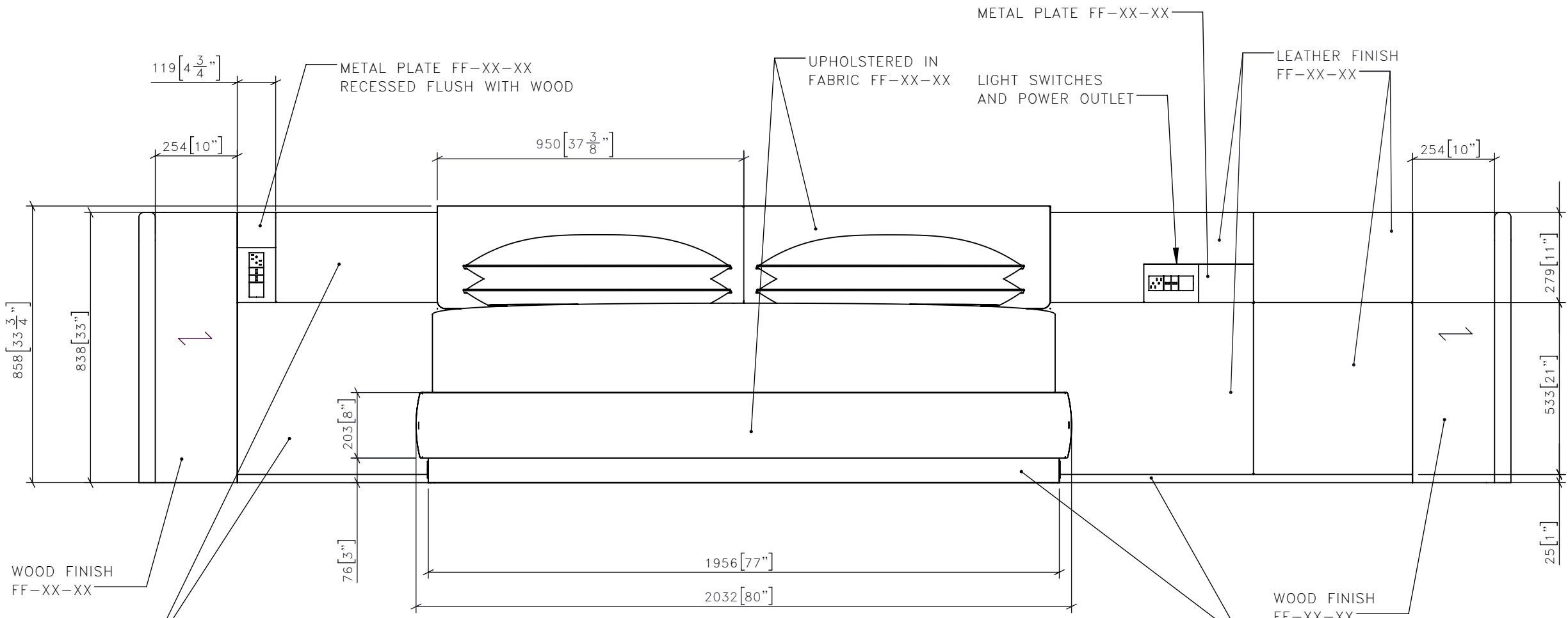
-DRAWING NUMBER
1 / 3

1 | LT-103 | KING SIZE BED PLAN
1:15

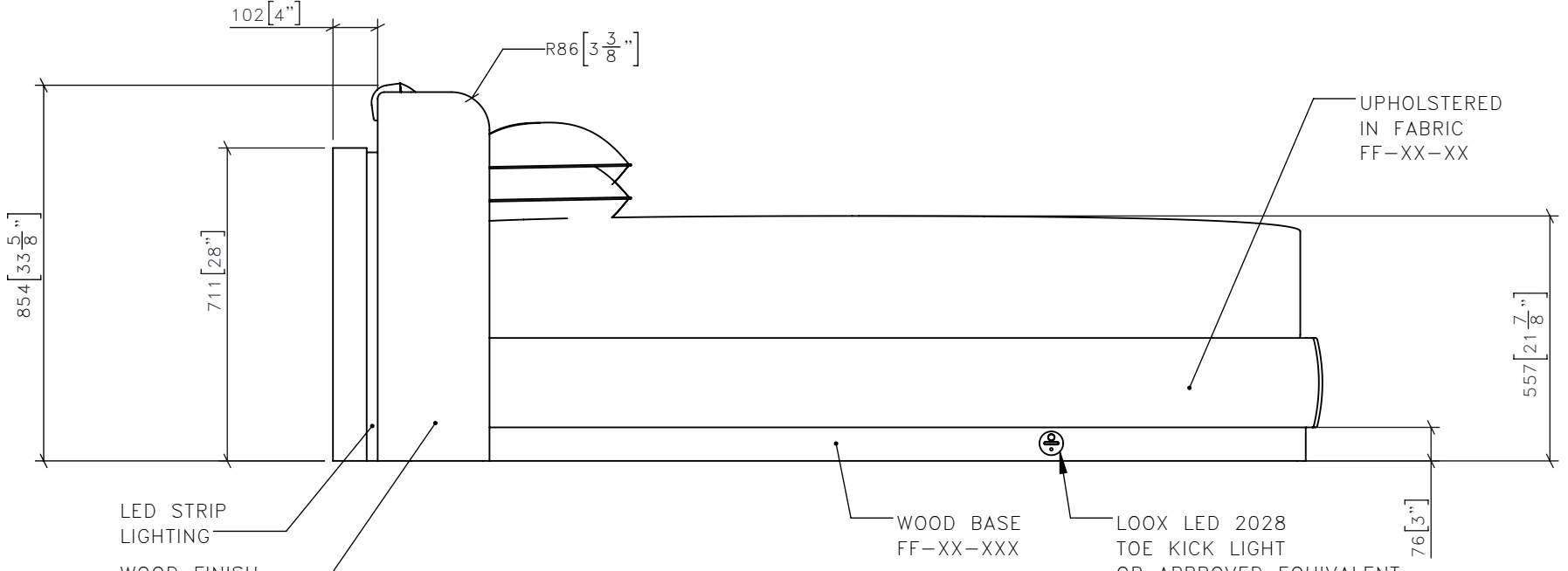
FOR DESIGN INTENT ONLY

DRAWING ARE NOT TO BE SCALED. CONTRACTOR MUST CHECK AND VERIFY ALL JOB DIMENSIONS, DRAWINGS, DETAILS AND SPECIFICATIONS; AND REPORT ANY DISCREPANCIES TO DESIGNER BEFORE PROCEEDING WITH WORK.

REV	ISSUED FOR	DATE



2 | LT-103 | KING SIZE BED FRONT ELEVATION
1:15



3 | LT-103 | KING SIZE BED SIDE ELEVATION
1:15

STUDIO MUNGE
 25 WINGOLD AVENUE
 TORONTO, ONTARIO
 M6B 1P8 CANADA
 416.588.1668
 STUDIOMUNGE.COM

-SCALE AS NOTED	-DATE 10/31/17
-DRAWN BY EP	-CHECKED BY
-PROJECT NAME BRIDGEWATER	
-DRAWING TITLE CG-XXX KING BED FRAME	
-PROJECT NUMBER 16129	
-DRAWING NUMBER 2 / 3	

STUDIO MUNGE
X
Y
E
M
D
C
B
A
Y
X

FOR DESIGN INTENT ONLY

DRAWING ARE NOT TO BE SCALED. CONTRACTOR MUST CHECK AND VERIFY ALL JOB DIMENSIONS, DRAWINGS, DETAILS AND SPECIFICATIONS; AND REPORT ANY DISCREPANCIES TO DESIGNER BEFORE PROCEEDING WITH WORK.

REV	ISSUED FOR	DATE



STUDIO MUNGE
25 WINGOLD AVENUE
TORONTO, ONTARIO
M6B 1P8 CANADA
416.588.1668
STUDIOMUNGE.COM

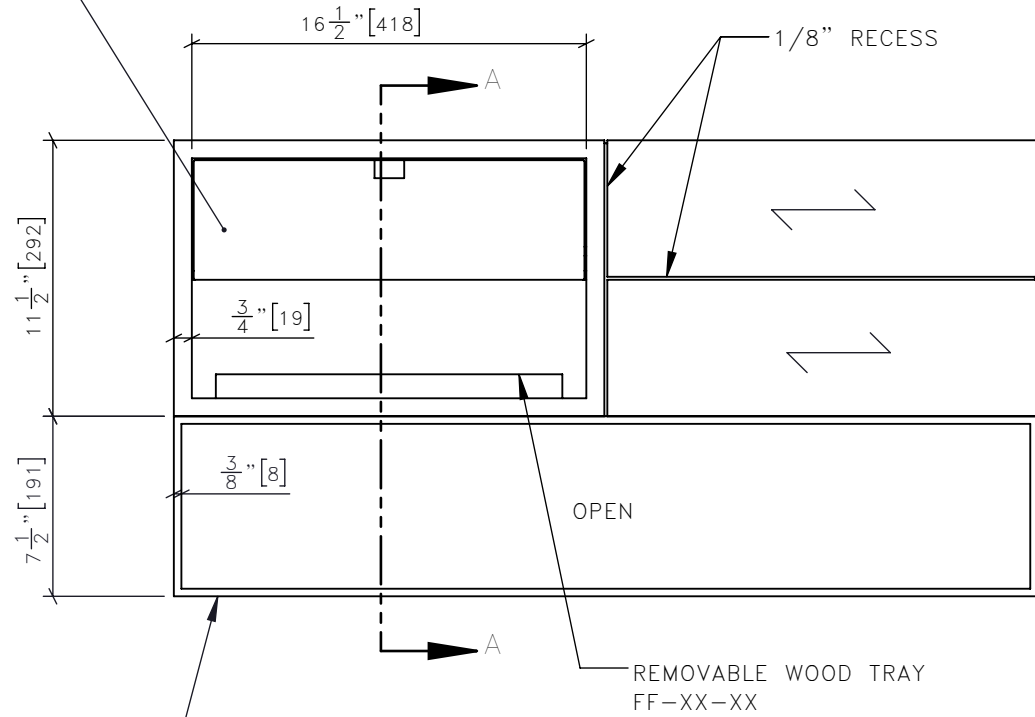


SCALE AS NOTED	DATE 10/31/17
DRAWN BY EP	CHECKED BY
PROJECT NAME BRIDGEWATER	
DRAWING TITLE CG-XXX KING BED FRAME	
PROJECT NUMBER 16129	
DRAWING NUMBER 3 / 3	

4	CG-XX	KING SIZE BED RENDERING
	NTS	

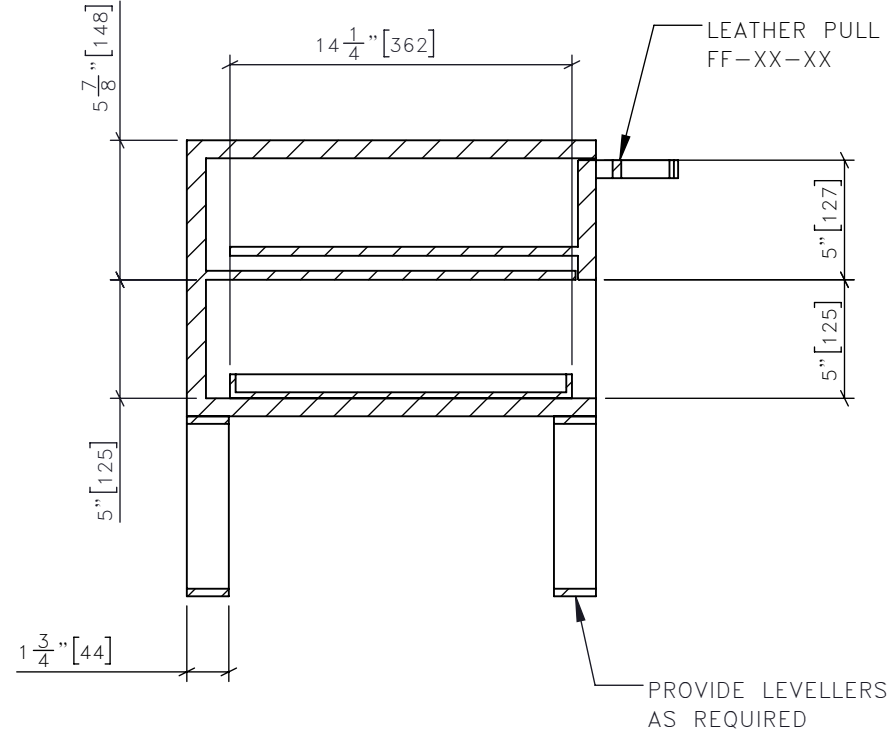
STUDIO MUNGE

METAL FRONT DRAWER
FF-XX-XX

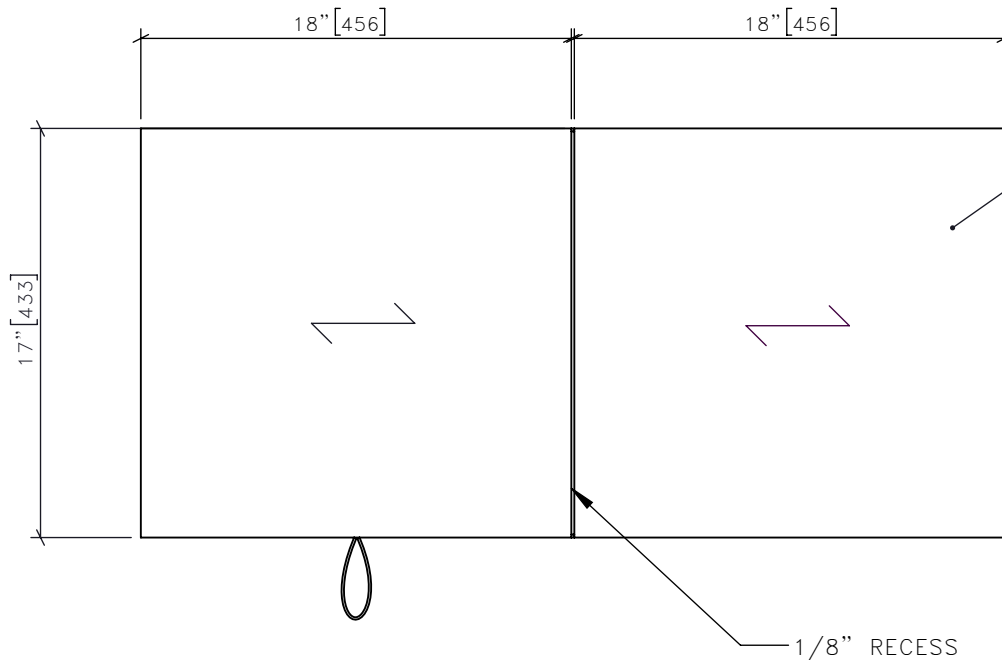


1 | CG-XX | NIGHT STAND B
1:8 | FRONT ELEVATION

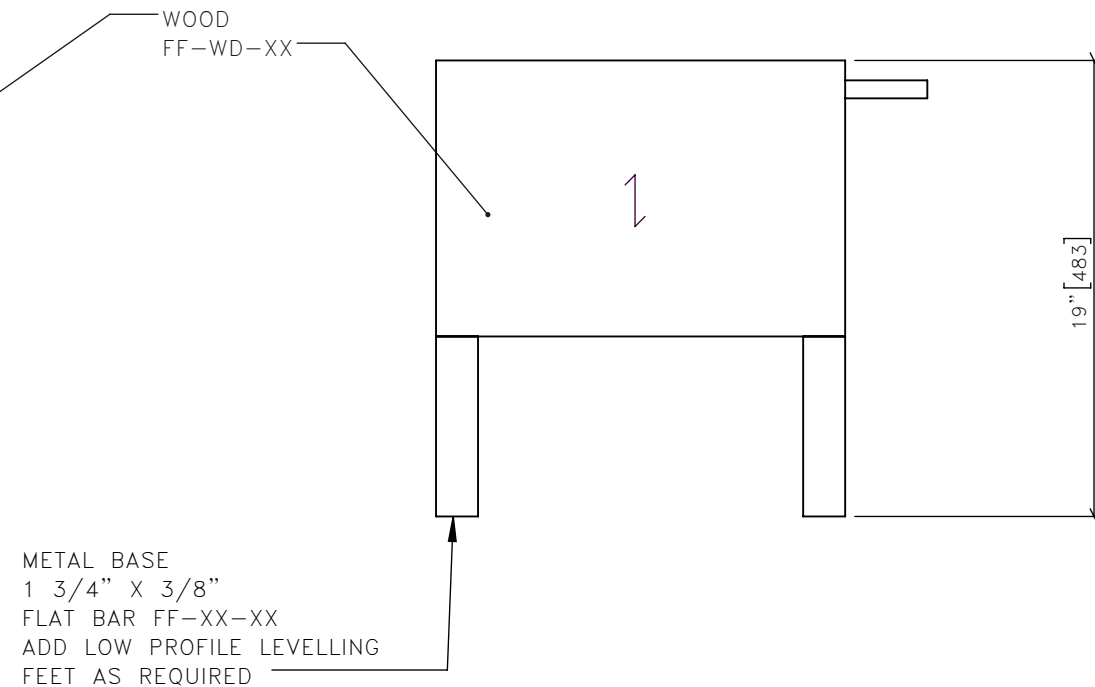
FOR DESIGN INTENT ONLY



2 | CG-XX | NIGHT STAND B
1:8 | SECTION



4 | CG-XX | NIGHT STAND B
1:8 | PLAN



3 | CG-XX | NIGHT STAND B
1:8 | SIDE ELEVATION

DRAWING ARE NOT TO BE SCALED. CONTRACTOR MUST CHECK AND VERIFY ALL JOB DIMENSIONS, DRAWINGS, DETAILS AND SPECIFICATIONS; AND REPORT ANY DISCREPANCIES TO DESIGNER BEFORE PROCEEDING WITH WORK.

REV	ISSUED FOR	DATE

STUDIO MUNGE
 25 WINGOLD AVENUE
 TORONTO, ONTARIO
 M6B 1P8 CANADA
 416.588.1668
 STUDIOMUNGE.COM

SCALE AS NOTED	DATE 10/30/17
DRAWN BY EP	CHECKED BY
PROJECT NAME BRIDGEWATER	
DRAWING TITLE NIGHT STAND B	
PROJECT NUMBER 16129	
DRAWING NUMBER 1 / 2	

STUDIO MUNGE
E
D
C
B
A
Y

1 2 3 4 5 6

FOR DESIGN INTENT ONLY

DRAWING ARE NOT TO BE SCALED. CONTRACTOR MUST CHECK AND VERIFY ALL JOB DIMENSIONS, DRAWINGS, DETAILS AND SPECIFICATIONS; AND REPORT ANY DISCREPANCIES TO DESIGNER BEFORE PROCEEDING WITH WORK.

REV.	ISSUED FOR	DATE



STUDIO MUNGE
25 WINGOLD AVENUE
TORONTO, ONTARIO
M6B 1P8 CANADA
416.588.1668
STUDIOMUNGE.COM

-SCALE
AS NOTED

-DATE
10/30/17

-DRAWN BY
EP

-CHECKED BY

-PROJECT NAME

BRIDGEWATER

-DRAWING TITLE

NIGHT STAND B

-PROJECT NUMBER
16129

-DRAWING NUMBER
2 / 2

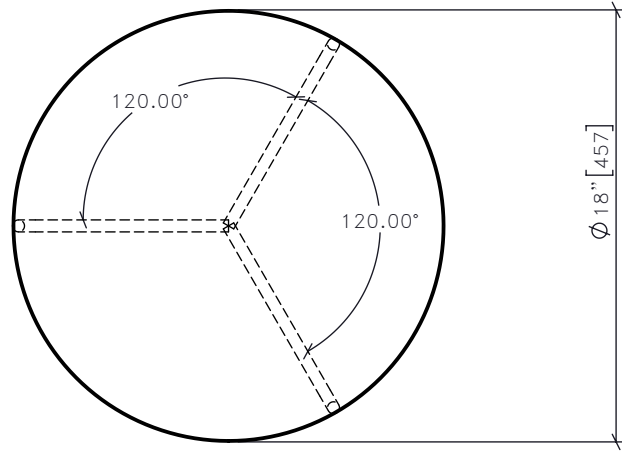
5 | CG-XX | NIGHT STAND B
| NTS | RENDERING

1 2 3 4 5 6

FOR DESIGN INTENT ONLY

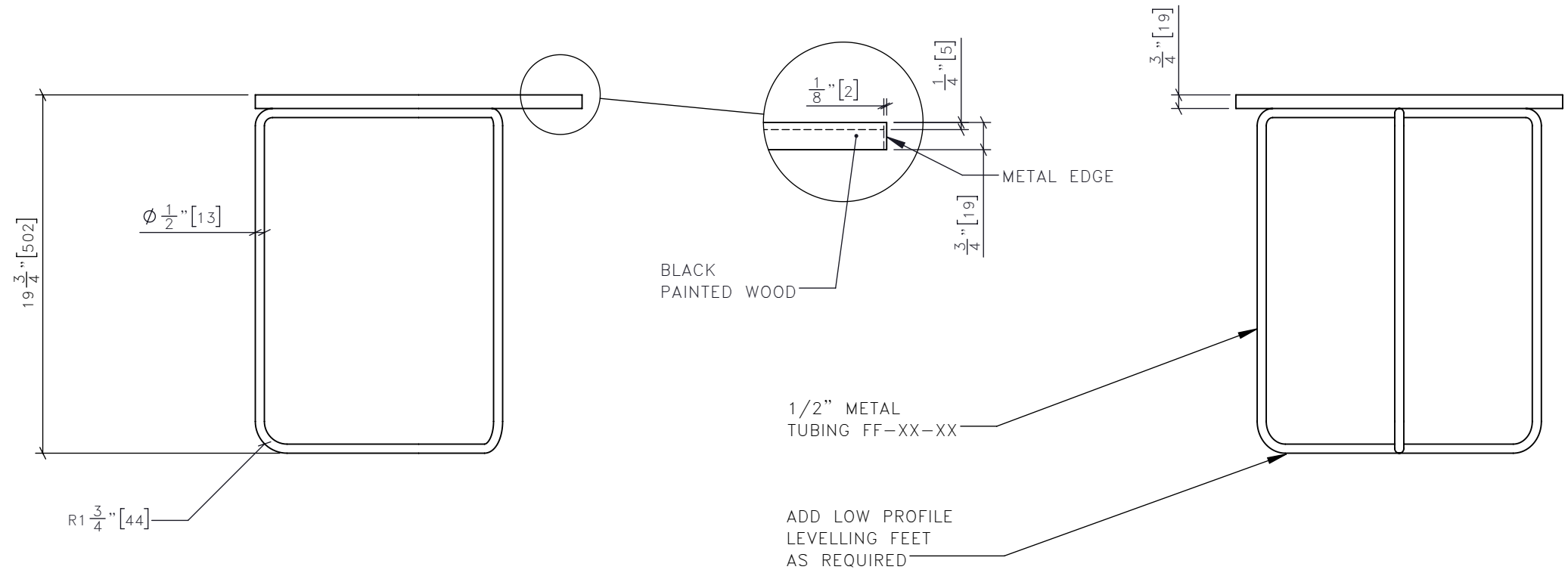
DRAWING ARE NOT TO BE SCALED. CONTRACTOR MUST CHECK AND VERIFY ALL JOB DIMENSIONS, DRAWINGS, DETAILS AND SPECIFICATIONS; AND REPORT ANY DISCREPANCIES TO DESIGNER BEFORE PROCEEDING WITH WORK.

REV	ISSUED FOR	DATE



1 CG-XX NIGHTSTAND 1
1:10 PLAN

STUDIO MUNGE
 25 WINGOLD AVENUE
 TORONTO, ONTARIO
 M6B 1P8 CANADA
 416.588.1668
 STUDIOMUNGE.COM



2 CG-XX NIGHTSTAND 1
1:10 FRONT ELEVATION

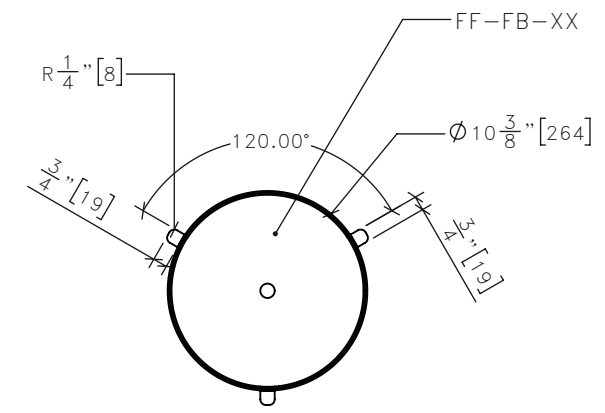
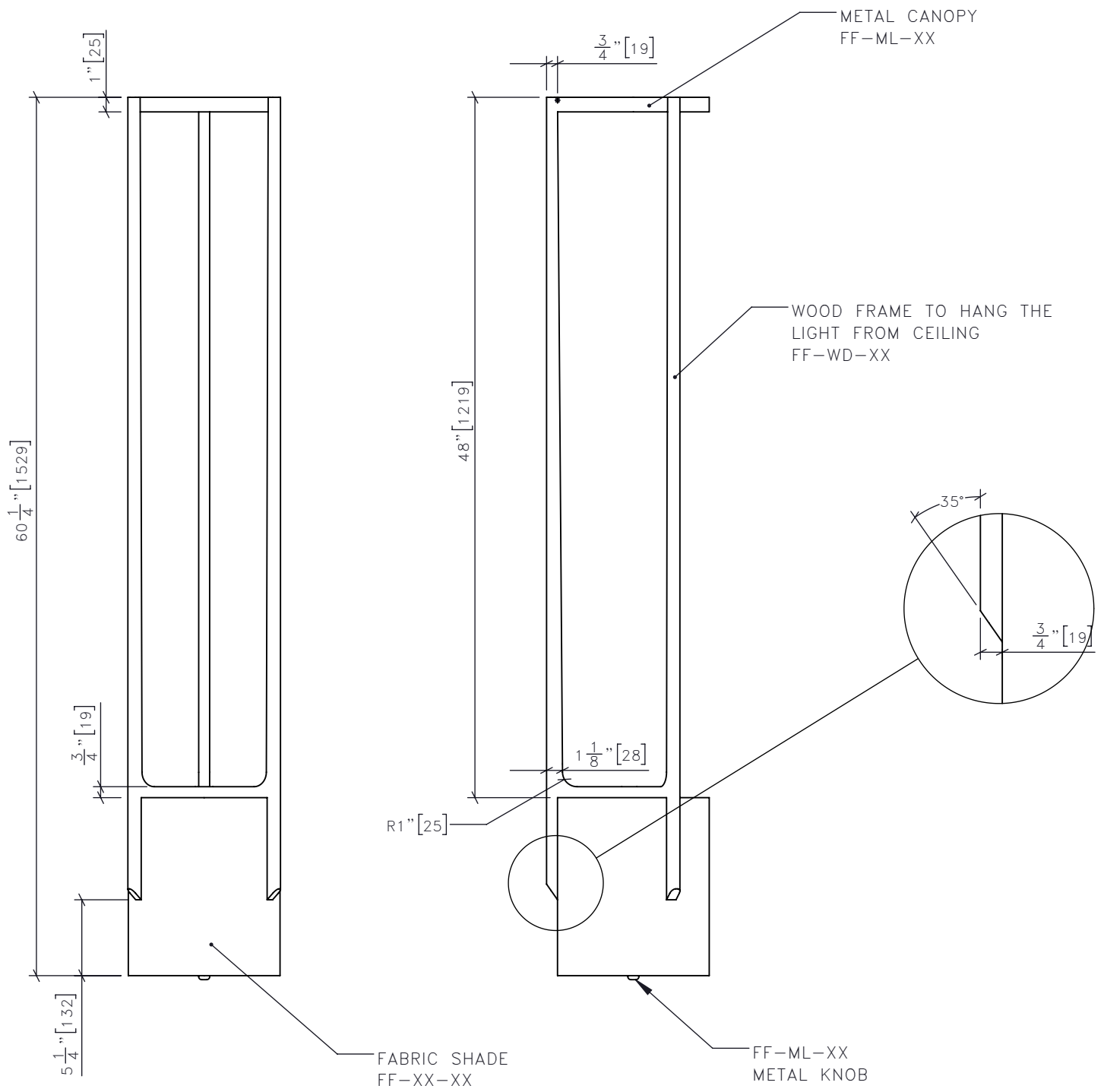
3 CG-XX NIGHTSTAND 1
1:10 SIDE ELEVATION

SCALE AS NOTED	DATE 10/26/17
DRAWN BY EH	CHECKED BY
PROJECT NAME BRIDGEWATER HOTEL M.U.R.	
DRAWING TITLE CG-XX NIGHTSTAND 1	
PROJECT NUMBER 16129	
DRAWING NUMBER 1 / 1	

FOR DESIGN INTENT ONLY

DRAWING ARE NOT TO BE SCALED. CONTRACTOR MUST CHECK AND VERIFY ALL JOB DIMENSIONS, DRAWINGS, DETAILS AND SPECIFICATIONS; AND REPORT ANY DISCREPANCIES TO DESIGNER BEFORE PROCEEDING WITH WORK.

REV	ISSUED FOR	DATE



1 | LT-XX | PENDANT FRONT ELEVATION
1:10

2 | LT-XX | PENDANT SIDE ELEVATION
1:10

3 | LT-XX | PENDANT PLAN
1:10

STUDIO MUNGE
25 WINGOLD AVENUE
TORONTO, ONTARIO
M6B 1P8 CANADA
416.588.1668
STUDIOMUNGE.COM

SCALE AS NOTED DATE 10/26/17

DRAWN BY EP CHECKED BY

PROJECT NAME

BRIDGEWATER

DRAWING TITLE

PENDANT LIGHT

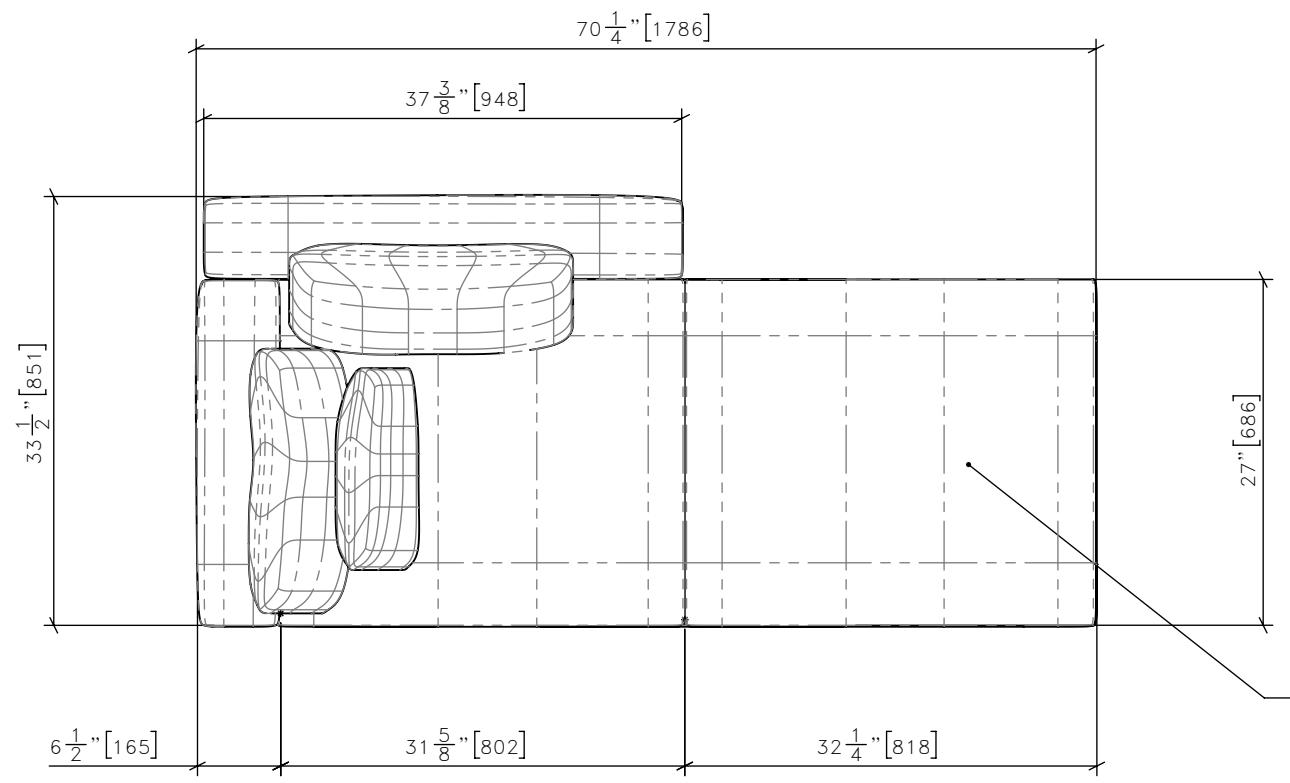
PROJECT NUMBER 16129

DRAWING NUMBER 1 / 1

FOR DESIGN INTENT ONLY

DRAWING ARE NOT TO BE SCALED. CONTRACTOR MUST CHECK AND VERIFY ALL JOB DIMENSIONS, DRAWINGS, DETAILS AND SPECIFICATIONS, AND REPORT ANY DISCREPANCIES TO DESIGNER BEFORE PROCEEDING WITH WORK.

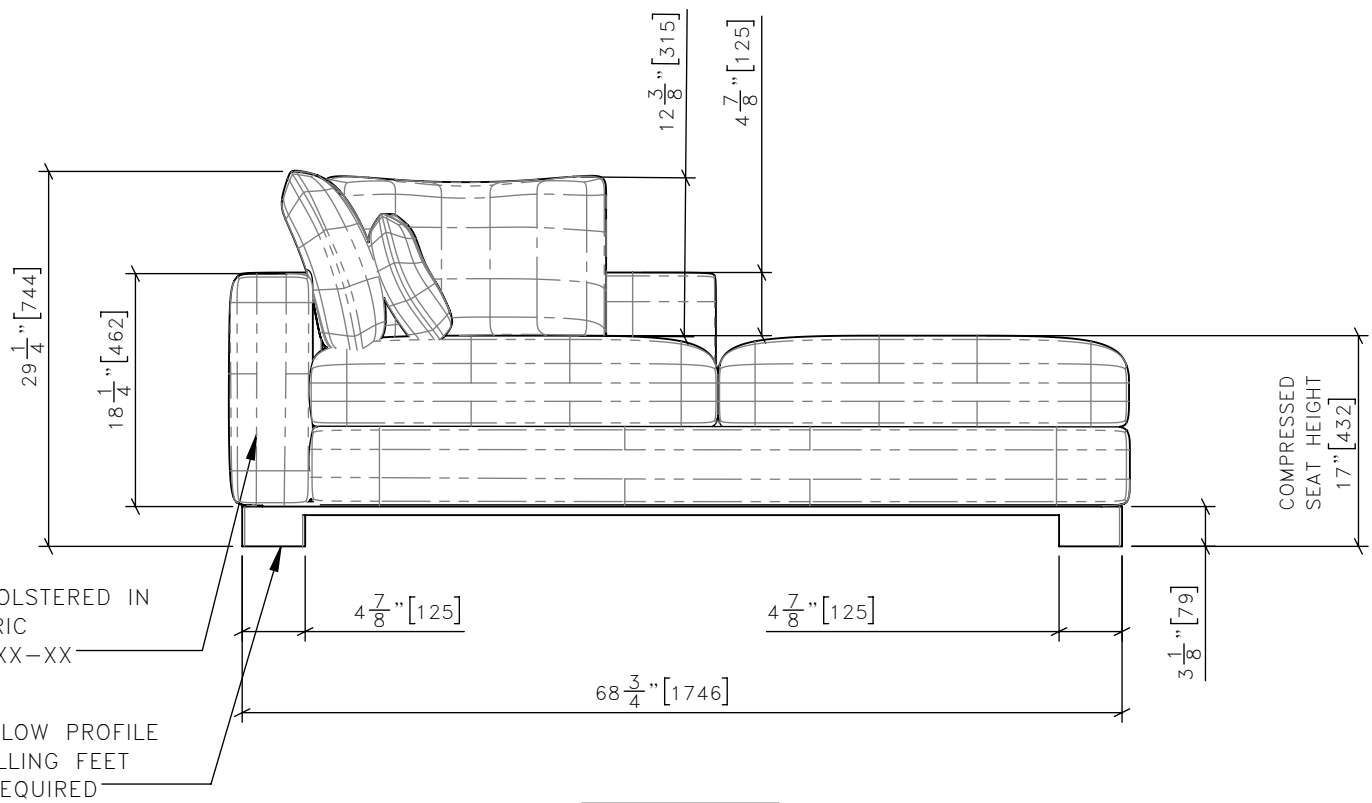
REV	ISSUED FOR	DATE



CUSHIONS AND SEAT BACK
UPHOLSTERED IN FABRIC
FF-XX-XX

1 | SG-XX | CHAISE
1:15 | PLAN

STUDIO MUNGE
 25 WINGOLD AVENUE
 TORONTO, ONTARIO
 M6B 1P8 CANADA
 416.588.1668
 STUDIOMUNGE.COM

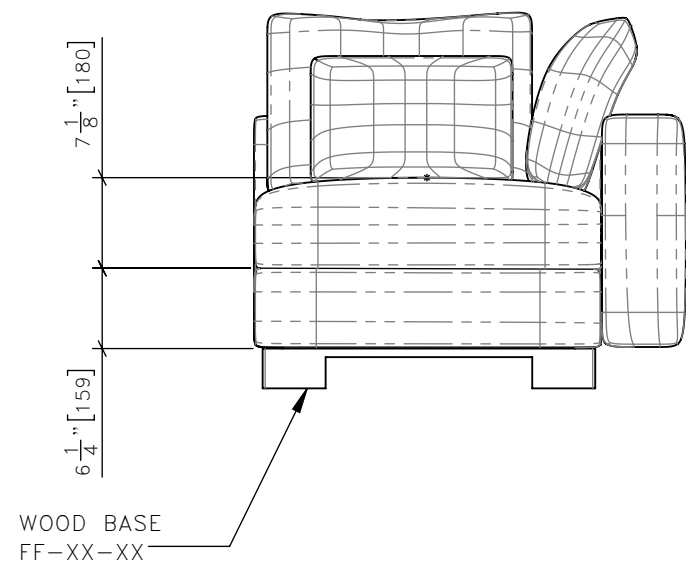


UPHOLSTERED IN
FABRIC
FF-XX-XX

ADD LOW PROFILE
LEVELLING FEET
AS REQUIRED

COMPRESSED
SEAT HEIGHT
17" [432]

1 | SG-XX | CHAISE
1:15 | PLAN



WOOD BASE
FF-XX-XX

1 | SG-XX | CHAISE
1:15 | PLAN

SCALE AS NOTED DATE 10/26/17

DRAWN BY EH CHECKED BY

PROJECT NAME

BRIDGEWATER HOTEL M.U.R.

DRAWING TITLE

SG-XX
CHAISE

PROJECT NUMBER 16129

DRAWING NUMBER 1 / 2

STUDIO MUNGE
E
M
D
C
B
A
Y

FOR DESIGN INTENT ONLY

DRAWING ARE NOT TO BE SCALED. CONTRACTOR MUST CHECK AND VERIFY ALL JOB DIMENSIONS, DRAWINGS, DETAILS AND SPECIFICATIONS; AND REPORT ANY DISCREPANCIES TO DESIGNER BEFORE PROCEEDING WITH WORK.



REV	ISSUED FOR	DATE

STUDIO MUNGE
25 WINGOLD AVENUE
TORONTO, ONTARIO
M6B 1P8 CANADA
416.588.1668
STUDIOMUNGE.COM

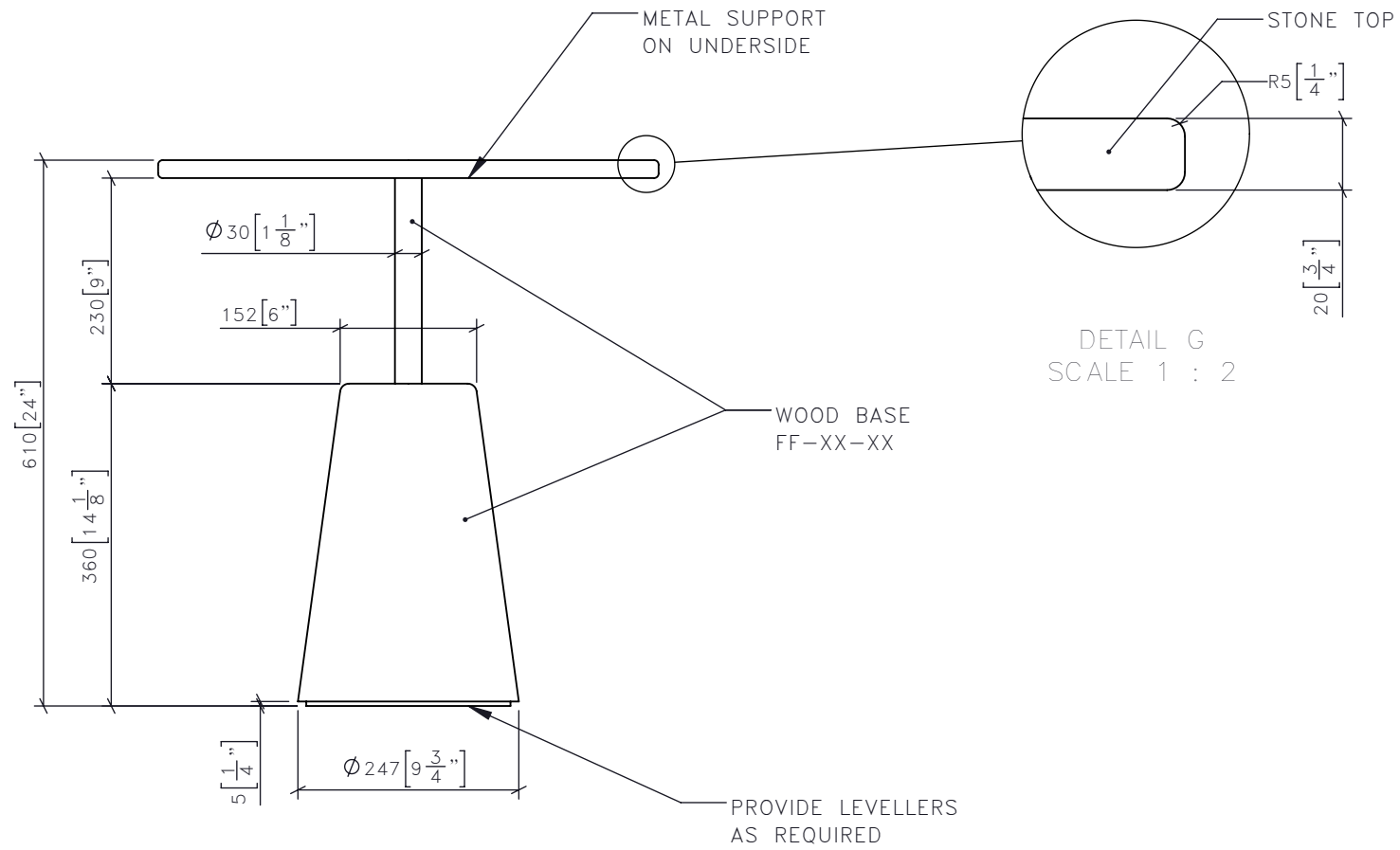
-SCALE AS NOTED	-DATE 10/26/17
-DRAWN BY EH	-CHECKED BY
-PROJECT NAME BRIDGEWATER HOTEL M.U.R.	
-DRAWING TITLE SG-XX CHAISE	
-PROJECT NUMBER 16129	
-DRAWING NUMBER 2 / 2	

4 | SG-XX | CHAISE
NTS | | RENDERING

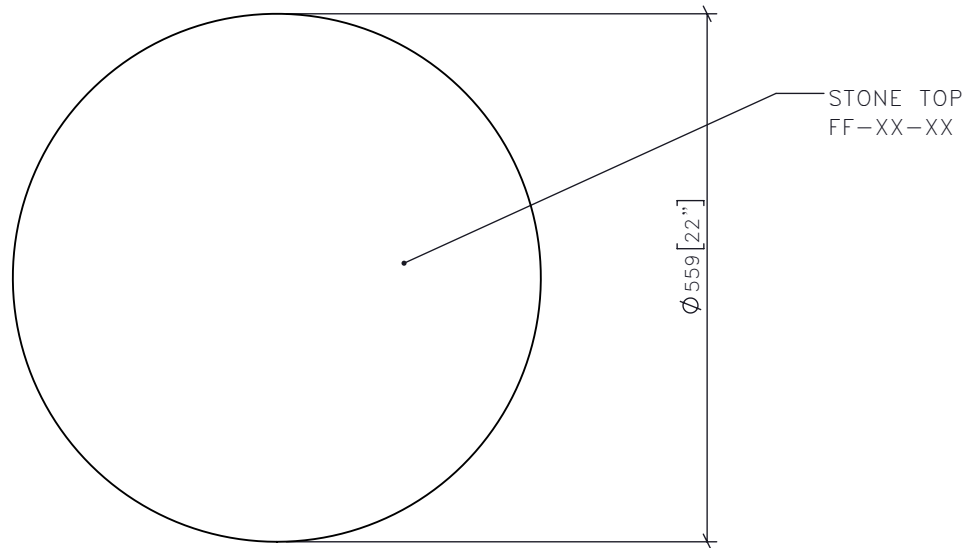
FOR DESIGN INTENT ONLY

DRAWING ARE NOT TO BE SCALED. CONTRACTOR MUST CHECK AND VERIFY ALL JOB DIMENSIONS, DRAWINGS, DETAILS AND SPECIFICATIONS; AND REPORT ANY DISCREPANCIES TO DESIGNER BEFORE PROCEEDING WITH WORK.

REV	ISSUED FOR	DATE



1 CG-XXX SIDE TABLE FRONT ELEVATION
1:8



2 CG-XXX SIDE TABLE PLAN
1:8



STUDIO MUNGE
 25 WINGOLD AVENUE
 TORONTO, ONTARIO
 M6B 1P8 CANADA
 416.588.1668
 STUDIOMUNGE.COM

SCALE AS NOTED DATE 10/25/17

DRAWN BY EP CHECKED BY

PROJECT NAME BRIDGEWATER

DRAWING TITLE CG-XX SIDE TABLE

PROJECT NUMBER 16129

DRAWING NUMBER 1 / 1